



Product Update

FEBRUARY 11, 2022

#322

Revision 03

BLOCKING & AUX FIRE LATCHES FOR FIRE RATED PAIRS

VT has approval, with U.L. and WHI, to label pairs of fire-rated doors having concealed vertical rods, surface vertical rods, and one leaf active without the use the 5” metal edgesets or regular edgesets as shown in the tables below. These tables show required* and optional* blocking and required fire latch for these approvals by application, hardware, rating core type and agency. Following the table are drawings of the blocking and fire latches. For consistency, the meeting edge is shown on the left side of the drawings.

***Important Note:** Required blocking part of the fire approval and is automatically included. Optional blocking is not part of the fire approval but must be specified for screw attachment of surface mounted latching hardware. Refer to the blocking drawings to determine which blocking you will need to specify for your application. Additional blocking may be needed for screw attachment of hardware, such as closers, which are not covered within this bulletin. Though-bolts may be used to attach surface-mounted hardware in lieu of blocking.

Application	Hardware	Rating			Core			Required	Fire Latches
		45	60	90	MC/S&R	PC	AGR		
Standard Swing Active-Active Pairs	SVR	X	X	X	8'x8'	---	---	4	None
	SVR-LBR	X	---	---	8'x8'	---	---	5	6
		---	X	X	8'x8'	---	---	5	3
	PP/PR SVR-LBR	X	X	X	8'x8'	---	---	5	4
	CVR	X	X	X	8'x8'	---	---	8	None
	CVR-LBR	X	X	X	8'x8'	---	---	8	3
PP/PR CVR-LBR	X	X	X	8'x8'	---	---	8	4	
Standard Swing Active-Inactive Pairs	Rim Exit	X	X	X	8'x8'	---	---	6	None
	Mortised Exit	X	X	X	8'x8'	---	---	6	None
	Corner Flush Bolt	X	X	X	8'x8'	---	---	None	None
	Flush bolts up to 12"	X	X	X	8'x8'	---	---	7	None
	FB over 12" up to 24"	X	X	X	8'x8'	---	---	2	None
Double Egress Swing Active- Active Pairs	SVR	X	X	X	8'x8'	---	---	1	2
	SVR-LBR	X	X	X	8'x8'	---	---	1	3
	PP/PR SVR-LBR	X	X	X	8'x8'	---	---	1	4
	CVR	---	---	---	---	---	---	---	---
	CVR-LBR	X	X	X	8'x8'	---	---	1	1
	PP/PR CVR-LBR	X	X	X	8'x8'	---	---	1	5

* Applies only to Flush Door Constructions

Visit our website for the most recent versions of the updates at www.vtindustries.com/product-updates

VT INDUSTRIES INC.
ARCHITECTURAL WOOD DOORS
800.827.1615
WWW.VTINDUSTRIES.COM/DOORS

1000 INDUSTRIAL PARK
P.O. BOX 490
HOLSTEIN, IA 51025



Product Update

Additional Options w/ Warnock Hersey (Flush Doors)

Application	Hardware	Rating			Opening Size per Core			Required	Fire Latches
		45	60	90	MC	PC	AGR		
Standard Swing Active-Active Pairs	SVR	X	---	---	---	6'x7'	---	None	None
		X	X	X	8'x9'	---	---	1	None
		X	---	---	---	---	8'x8'	8	None
	SVR-LBR	X	---	---	---	6'x7'	---	None	6
		X	X	X	---	---	---	9	None
		X	X	X	8'x9'	---	---	1	4
	CVR	---	---	---	---	---	---	---	---
CVR-LBR	---	---	---	---	---	---	---	---	
Standard Swing Active-Inactive Pairs	Rim Exit	X	---	---	---	---	8'x8'	8	None
		X	X	---	8'x9'	---	---	1	None
		X	---	---	---	6'x7'	---	None	None
	Mortised Exit	X	---	---	---	6'x7'	8'x8'	6	None
		X	X	---	8'x9'	---	---	1	None
	Corner Flush Bolt	X	X	---	8'x9'	---	---	1	None
	Flush bolts up to 12"	X	---	---	---	---	8'x8'	2	None
		X	X	---	8'x9'	---	---	1	None
		X	---	---	---	6'x7'	---	None	None
	FB over 12" up to 24"	X	X	---	8'x9'	---	---	1	None
X		---	---	---	6'x7'	---	None	None	
Double Egress Swing Active-Active Pairs	SVR	X	---	---	---	---	8'x8'	8	None
	SVR-LBR	X	X	X	---	---	---	9	None
	CVR	---	---	---	---	---	---	---	---
	CVR-LBR	---	---	---	---	---	---	---	---

Additional Options w/ Warnock Hersey (Stile & Rail)

Application	Hardware	Rating	Opening Size per Door Thickness		Required Blocking	Fire Latches
		90	1.75" S&R	2.25" S&R		
Standard Swing Active-Active Pairs	SVR (top and bottom)	X	7'x8'	8'x10'	Special Blocking and Auxilliary Fire Latches are not Required	
Standard Swing Active-Inactive Pairs	Rim Exit	X	7'x8'	8'x10'		
	Mortised Exit	X	7'x8'	8'x10'		
	Corner Flush Bolt	X	7'x8'	8'x10'		
Double Egress Swing Active-Active Pairs	SVR (top and bottom)	X	---	8'x10'		

Visit our website for the most recent versions of the updates at www.vtindustries.com/product-updates



Product Update

45 Minute WHI PyroForce Options

Duration (minutes)	Max Size W x H	Swing / Egress	Latching / Hardware	5" Metal Channel	Core	Fire Pin
45	8 X 9	Std Pair	SVR LBR 2 pt	No	LD Core	1 - door to door
45	8 X 9	Std Pair	CVR LBR 2 pt	Yes	LD Core	1 - door to door
45	8 X 9	Std Pair	CVR LBR 2 pt	No	LD Core	2 - door to door
45	8 X 9	Std Pair	FB 3 pt	No	LD Core	No
45	8 x 9	Std Pair	SVR 4 pt	No	LD Core	No
45	8 X 9	Std Pair	CVR 4 pt	No	LD Core	No
45	8 X 9	DE Pair	SVR LBR 2 pt	No	LD Core	2 - door to door
45	8 X 9	DE Pair	CVR LBR 2 pt	Yes	LD Core	1 - door to door
45	8 X 9	DE Pair	CVR LBR 2 pt	No	LD Core	2 - door to door
45	8 X 9	DE Pair	FB 3 pt	No	LD Core	No
45	8 x 9	DE Pair	SVR 4 pt	No	LD Core	No
45	8 X 9	DE Pair	CVR 4 pt	No	LD Core	No

Note: Fire pins on PyroForce doors shall be located a minimum of 4" from the bottom of the door and a maximum of 24" from the bottom of the door.

Visit our website for the most recent versions of the updates at www.vtindustries.com/product-updates

VT INDUSTRIES INC.
 ARCHITECTURAL WOOD DOORS
 800.827.1615
 WWW.VTINDUSTRIES.COM/DOORS

1000 INDUSTRIAL PARK
 P.O. BOX 490
 HOLSTEIN, IA 51025



Product Update

60 Minute WHI PyroForce Options

Duration (minutes)	Max Size W x H	Swing / Egress	Latching / Hardware	5" Metal Channel	Core	Fire Pin
60	8 x 7	Std Pair	SVR LBR 2 pt	No	LD Core	No
60	8 X 8	Std Pair	SVR LBR 2 pt	No	LD Core	1 - door to door
60	6 X 9	Std Pair	SVR LBR 2 pt	No	LD Core	1 - door to door
60	8 X 9	Std Pair	SVR LBR 2 pt	No	MD Core	1 - door to door
60	8 x 7	Std Pair	CVR LBR 2 pt	Yes	LD Core	No
60	8 x 8	Std Pair	CVR LBR 2 pt	Yes	LD Core	1 - door to door
60	6 X 9	Std Pair	CVR LBR 2 pt	Yes	LD Core	1 - door to door
60	8 X 9	Std Pair	CVR LBR 2 pt	Yes	MD Core	1 - door to door
60	8 x 8	Std Pair	FB 3 pt	No	LD Core	No
60	8 X 9	Std Pair	FB 3 pt	No	MD Core	No
60	8 x 8	Std Pair	SVR 4 pt	No	LD Core	No
60	6 x 9	Std Pair	SVR 4 pt	No	LD Core	No
60	8 X 9	Std Pair	SVR 4 pt	No	MD Core	No
60	8 x 7	Std Pair	CVR 4 pt	Yes	LD Core	No
60	6 x 9	Std Pair	CVR 4 pt	Yes	LD Core	No
60	8 X 9	Std Pair	CVR 4 pt	Yes	MD Core	No
60	8 x 7	DE Pair	SVR LBR 2 pt	No	LD Core	No
60	8 X 8	DE Pair	SVR LBR 2 pt	No	MD Core	1 - door to door
60	8 x 7	DE Pair	CVR LBR 2 pt	Yes	LD Core	No
60	8 X 8	DE Pair	CVR LBR 2 pt	Yes	LD Core	1 - door to door
60	8 X 8	DE Pair	FB 3 pt	No	LD Core	No
60	8 X 8	DE Pair	SVR 4 pt	No	LD Core	No
60	8 X 8	DE Pair	CVR 4 pt	Yes	LD Core	No

Note: Fire pins on PyroForce doors shall be located a minimum of 4" from the bottom of the door and a maximum of 24" from the bottom of the door.

Visit our website for the most recent versions of the updates at www.vtindustries.com/product-updates



Product Update

90 Minute WHI PyroForce Options

Duration (minutes)	Max Size W x H	Swing / Egress	Latching / Hardware	5" Metal Channel	Core	Fire Pin
90	8 x 7	Std Pair	SVR LBR 2 pt	No	LD Core	No
90	8 X 8	Std Pair	SVR LBR 2 pt	No	LD Core	1 - door to door
90	6 X 9	Std Pair	SVR LBR 2 pt	No	LD Core	1 - door to door
90	8 X 9	Std Pair	SVR LBR 2 pt	No	MD Core	1 - door to door
90	8 x 7	Std Pair	CVR LBR 2 pt	Yes	LD Core	No
90	8 x 8	Std Pair	CVR LBR 2 pt	Yes	LD Core	1 - door to door
90	6 X 9	Std Pair	CVR LBR 2 pt	Yes	LD Core	1 - door to door
90	8 X 9	Std Pair	CVR LBR 2 pt	Yes	MD Core	1 - door to door
90	8 x 8	Std Pair	FB 3 pt	No	LD Core	No
90	8 X 9	Std Pair	FB 3 pt	No	MD Core	No
90	8 x 8	Std Pair	SVR 4 pt	No	LD Core	No
90	6 x 9	Std Pair	SVR 4 pt	No	LD Core	No
90	8 X 9	Std Pair	SVR 4 pt	No	MD Core	No
90	8 x 7	Std Pair	CVR 4 pt	Yes	LD Core	No
90	6 x 9	Std Pair	CVR 4 pt	Yes	LD Core	No
90	8 X 9	Std Pair	CVR 4 pt	Yes	MD Core	No
90	8 x 7	DE Pair	SVR LBR 2 pt	No	LD Core	No
90	8 X 8	DE Pair	SVR LBR 2 pt	No	HD Core	2 - door to door
90	8 x 7	DE Pair	CVR LBR 2 pt	Yes	LD Core	No
90	8 X 8	DE Pair	CVR LBR 2 pt	Yes	LD Core	1 - door to door
90	8 X 8	DE Pair	FB 3 pt	No	LD Core	No
90	8 X 8	DE Pair	SVR 4 pt	No	LD Core	No
90	8 X 8	DE Pair	CVR 4 pt	Yes	LD Core	No

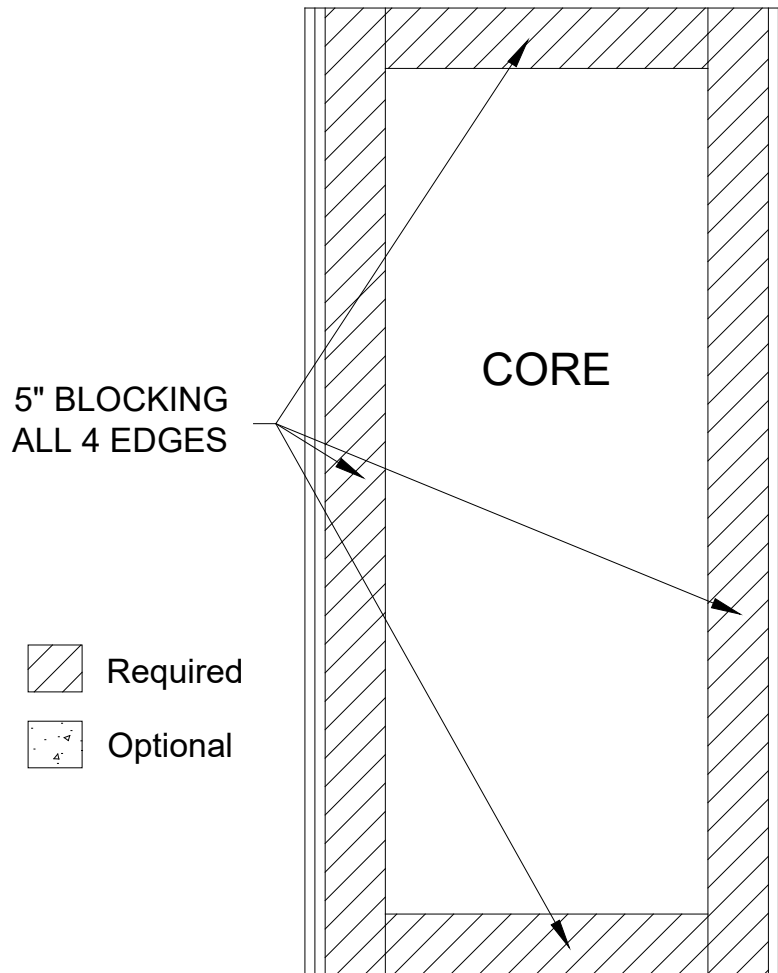
Note: Fire pins on PyroForce doors shall be located a minimum of 4" from the bottom of the door and a maximum of 24" from the bottom of the door.

Visit our website for the most recent versions of the updates at www.vtindustries.com/product-updates



Product Update

BLOCKING # 1



Visit our website for the most recent versions of the updates at www.vtindustries.com/product-updates

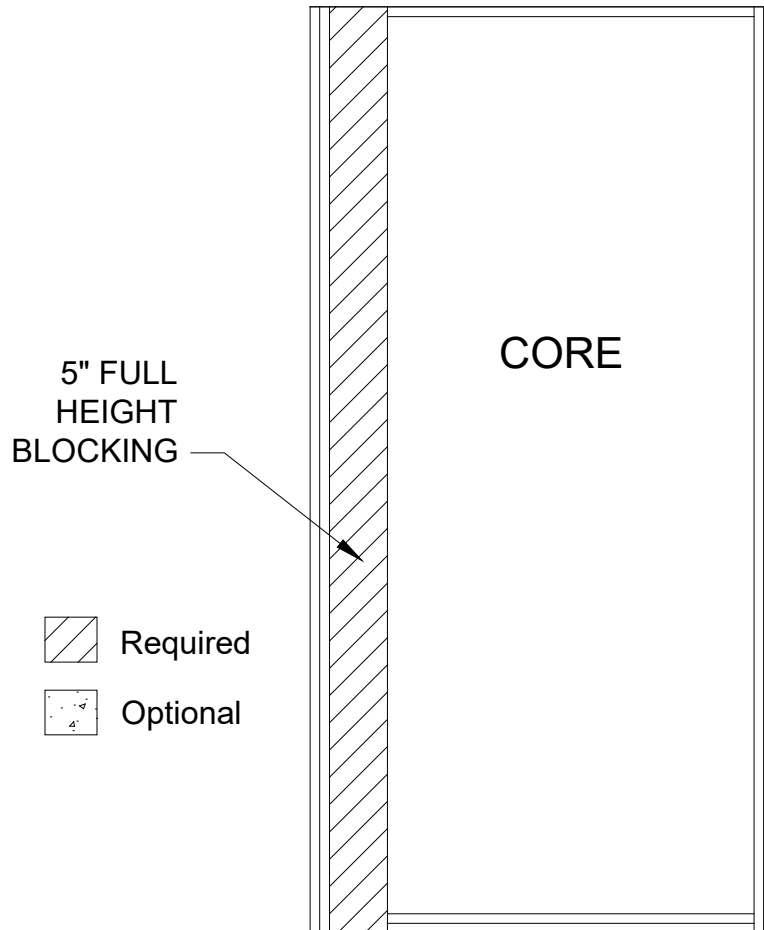
VT INDUSTRIES INC.
ARCHITECTURAL WOOD DOORS
800.827.1615
WWW.VTINDUSTRIES.COM/DOORS

1000 INDUSTRIAL PARK
P.O. BOX 490
HOLSTEIN, IA 51025



Product Update

BLOCKING # 2



Visit our website for the most recent versions of the updates at www.vtindustries.com/product-updates

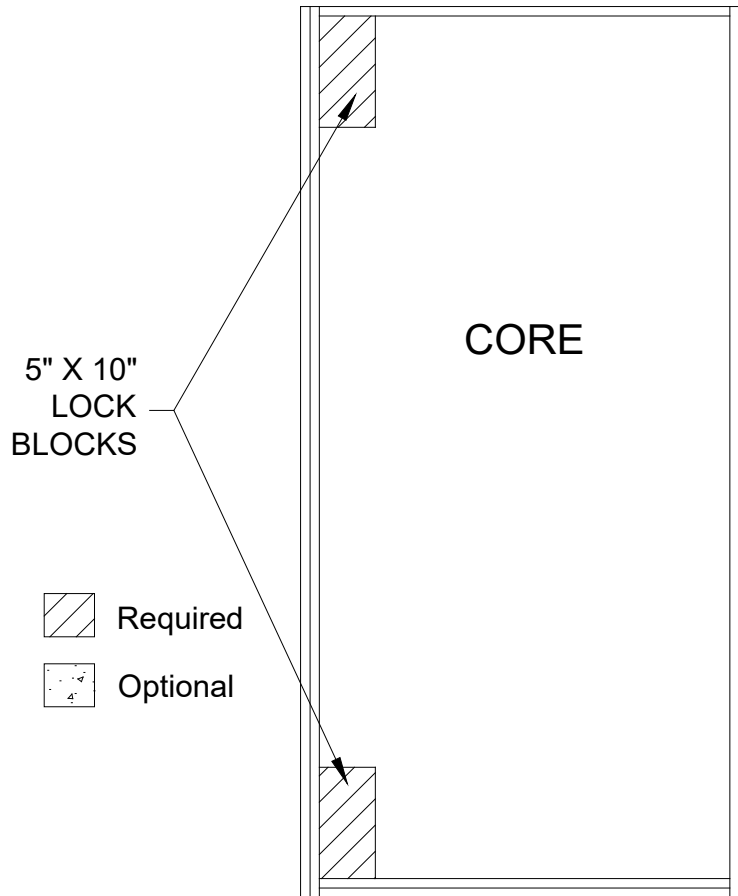
VT INDUSTRIES INC.
ARCHITECTURAL WOOD DOORS
800.827.1615
WWW.VTINDUSTRIES.COM/DOORS

1000 INDUSTRIAL PARK
P.O. BOX 490
HOLSTEIN, IA 51025



Product Update

BLOCKING # 3



Visit our website for the most recent versions of the updates at
www.vtindustries.com/product-updates

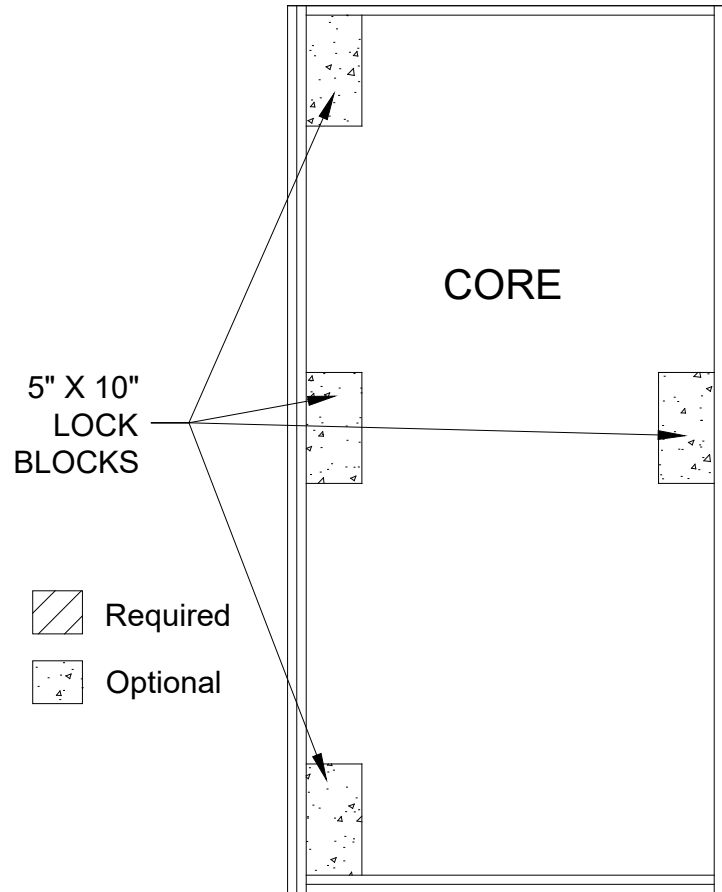
VT INDUSTRIES INC.
ARCHITECTURAL WOOD DOORS
800.827.1615
WWW.VTINDUSTRIES.COM/DOORS

1000 INDUSTRIAL PARK
P.O. BOX 490
HOLSTEIN, IA 51025



Product Update

BLOCKING # 4



Visit our website for the most recent versions of the updates at
www.vtindustries.com/product-updates

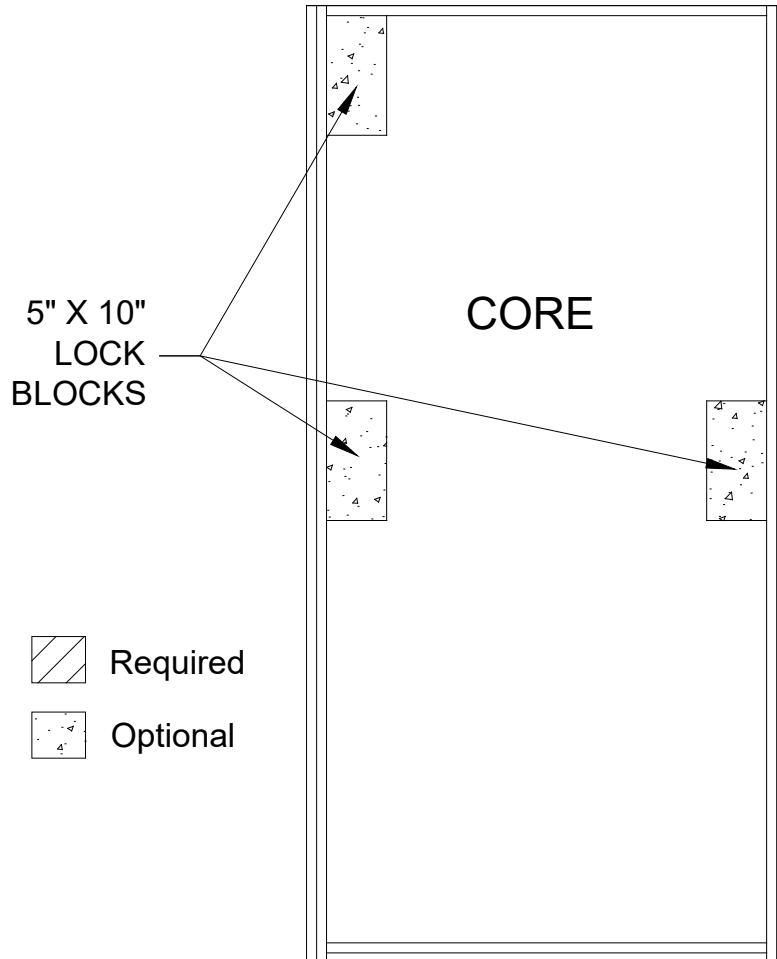
VT INDUSTRIES INC.
ARCHITECTURAL WOOD DOORS
800.827.1615
WWW.VTINDUSTRIES.COM/DOORS

1000 INDUSTRIAL PARK
P.O. BOX 490
HOLSTEIN, IA 51025



Product Update

BLOCKING # 5



Visit our website for the most recent versions of the updates at
www.vtindustries.com/product-updates

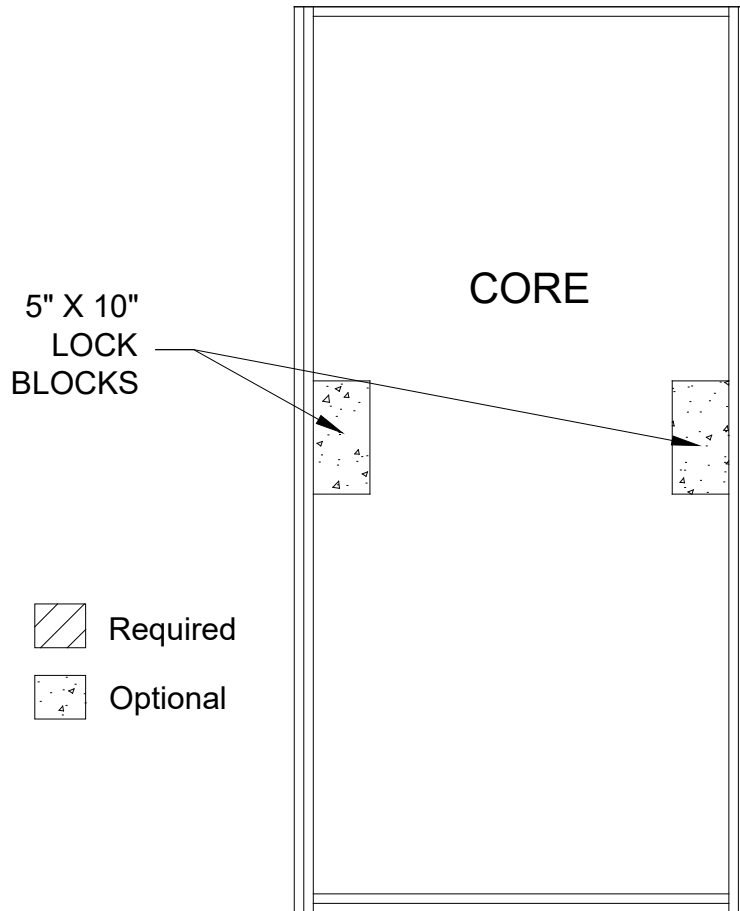
VT INDUSTRIES INC.
ARCHITECTURAL WOOD DOORS
800.827.1615
WWW.VTINDUSTRIES.COM/DOORS

1000 INDUSTRIAL PARK
P.O. BOX 490
HOLSTEIN, IA 51025



Product Update

BLOCKING # 6



Visit our website for the most recent versions of the updates at
www.vtindustries.com/product-updates

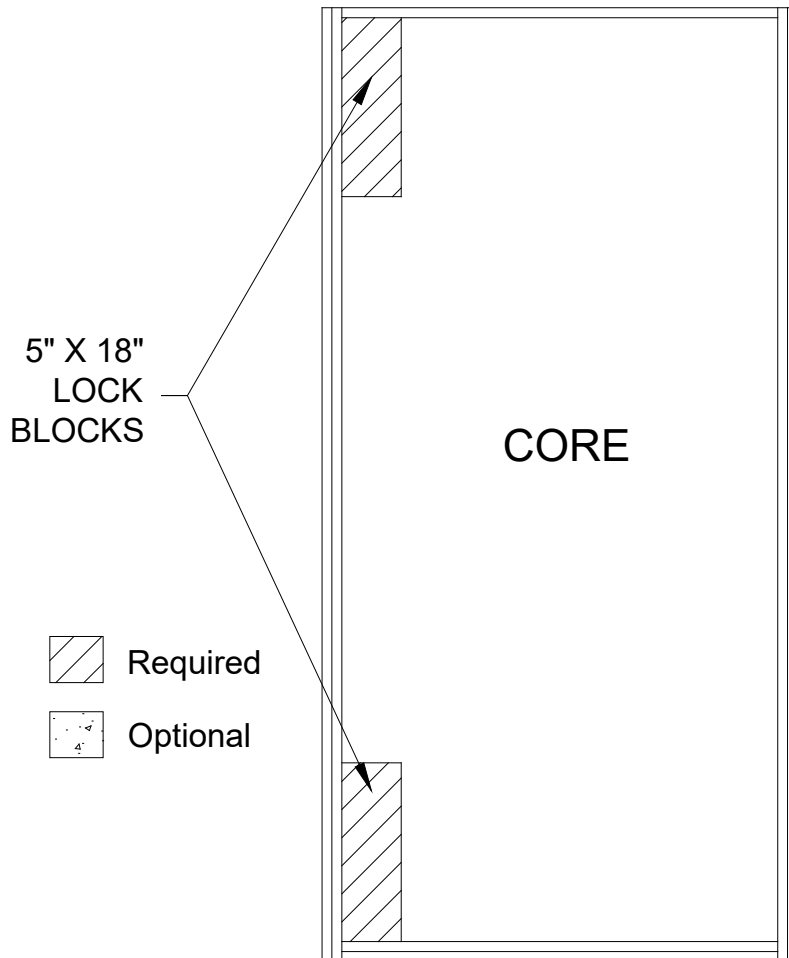
VT INDUSTRIES INC.
ARCHITECTURAL WOOD DOORS
800.827.1615
WWW.VTINDUSTRIES.COM/DOORS

1000 INDUSTRIAL PARK
P.O. BOX 490
HOLSTEIN, IA 51025



Product Update

BLOCKING # 7



Visit our website for the most recent versions of the updates at
www.vtindustries.com/product-updates

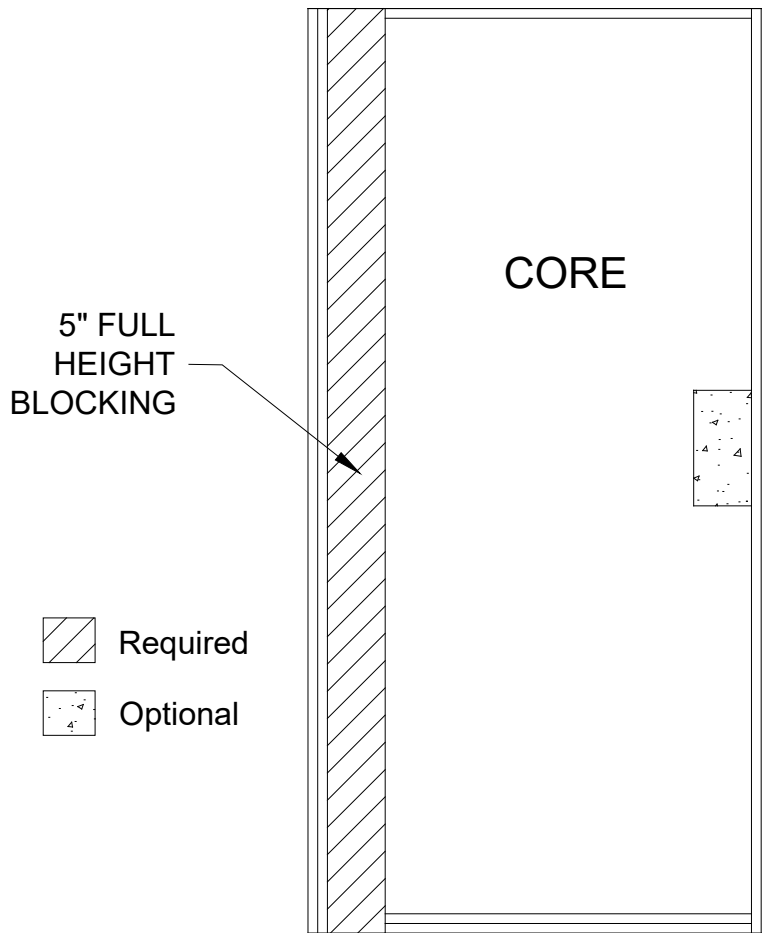
VT INDUSTRIES INC.
ARCHITECTURAL WOOD DOORS
800.827.1615
WWW.VTINDUSTRIES.COM/DOORS

1000 INDUSTRIAL PARK
P.O. BOX 490
HOLSTEIN, IA 51025



Product Update

BLOCKING # 8



Visit our website for the most recent versions of the updates at www.vtindustries.com/product-updates

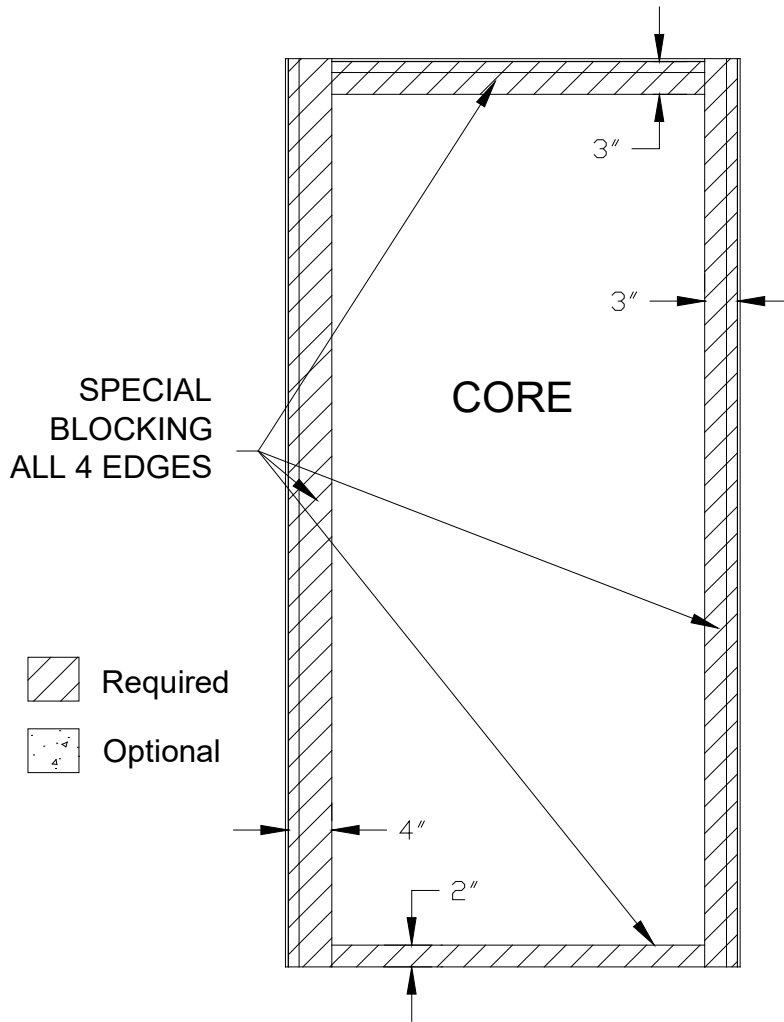
VT INDUSTRIES INC.
ARCHITECTURAL WOOD DOORS
800.827.1615
WWW.VTINDUSTRIES.COM/DOORS

1000 INDUSTRIAL PARK
P.O. BOX 490
HOLSTEIN, IA 51025



Product Update

BLOCKING # 9



Visit our website for the most recent versions of the updates at www.vtindustries.com/product-updates

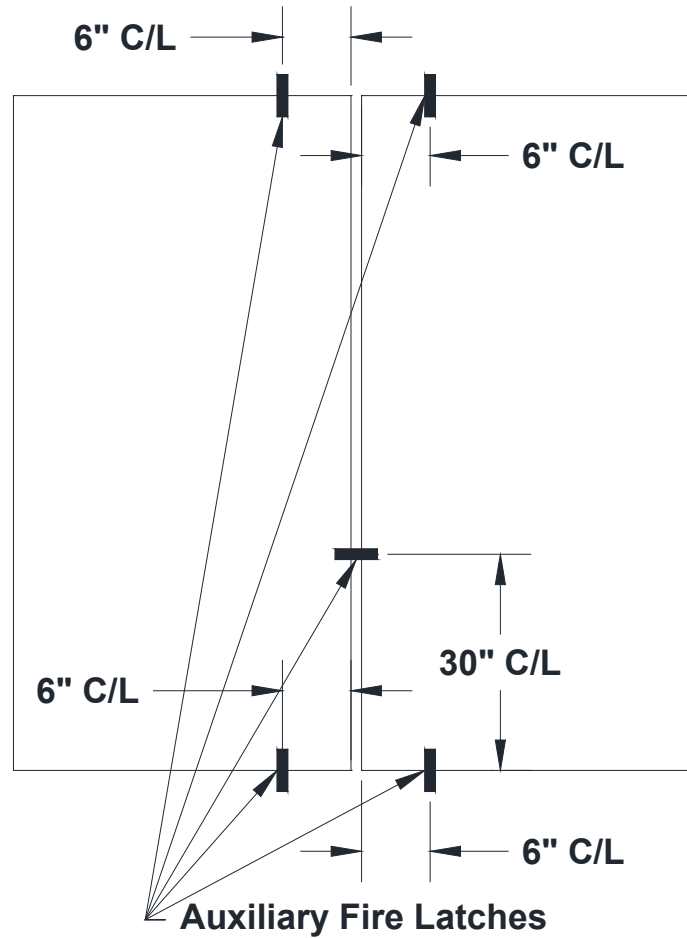
VT INDUSTRIES INC.
ARCHITECTURAL WOOD DOORS
800.827.1615
WWW.VTINDUSTRIES.COM/DOORS

1000 INDUSTRIAL PARK
P.O. BOX 490
HOLSTEIN, IA 51025



Product Update

AUXILIARY FIRE LATCH #1



Visit our website for the most recent versions of the updates at www.vtindustries.com/product-updates

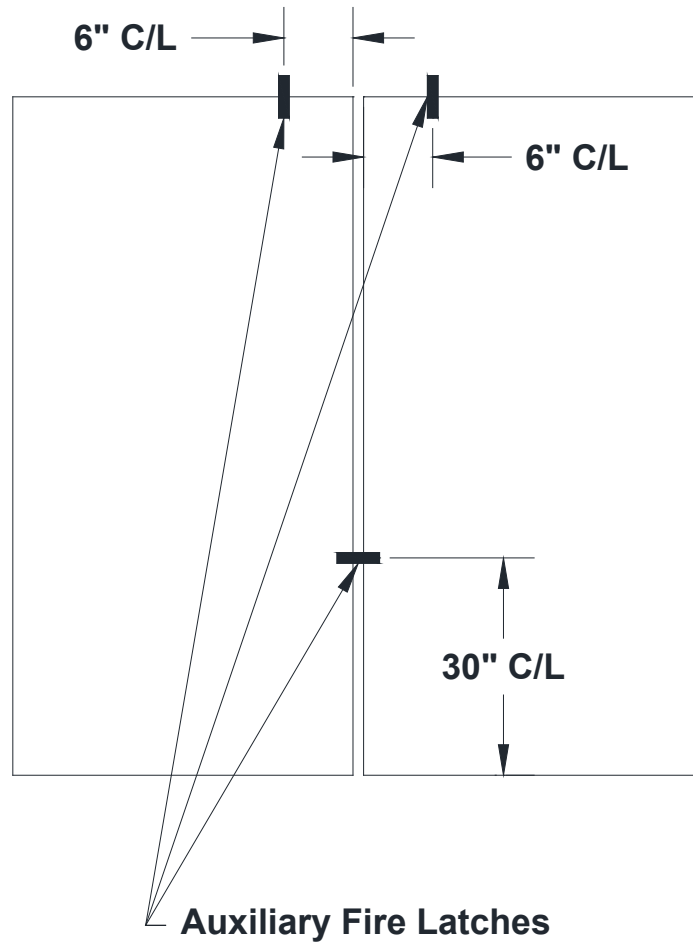
VT INDUSTRIES INC.
ARCHITECTURAL WOOD DOORS
800.827.1615
WWW.VTINDUSTRIES.COM/DOORS

1000 INDUSTRIAL PARK
P.O. BOX 490
HOLSTEIN, IA 51025



Product Update

AUXILIARY FIRE LATCH #2



Visit our website for the most recent versions of the updates at www.vtindustries.com/product-updates

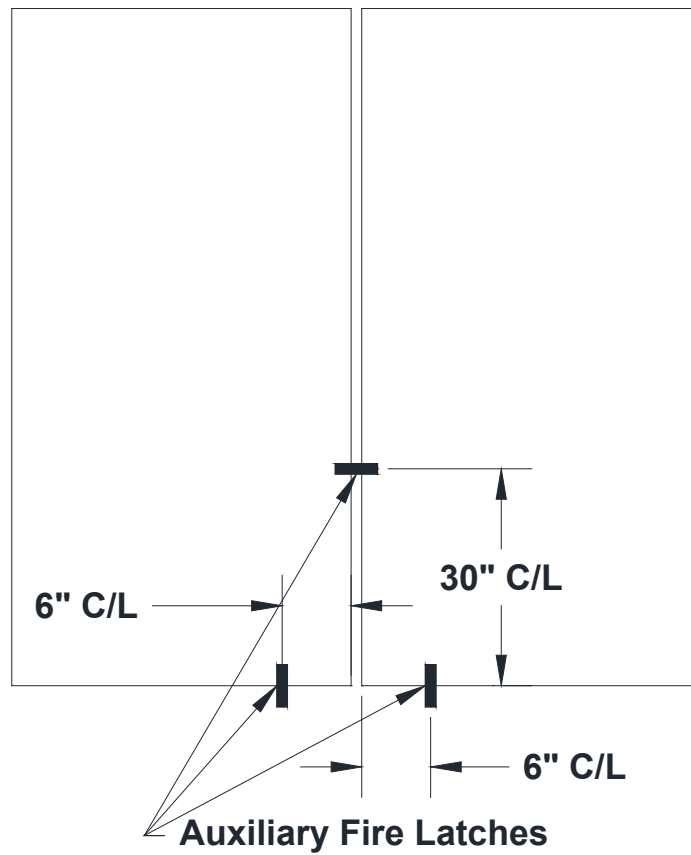
VT INDUSTRIES INC.
ARCHITECTURAL WOOD DOORS
800.827.1615
WWW.VTINDUSTRIES.COM/DOORS

1000 INDUSTRIAL PARK
P.O. BOX 490
HOLSTEIN, IA 51025



Product Update

AUXILIARY FIRE LATCH #3



Visit our website for the most recent versions of the updates at www.vtindustries.com/product-updates

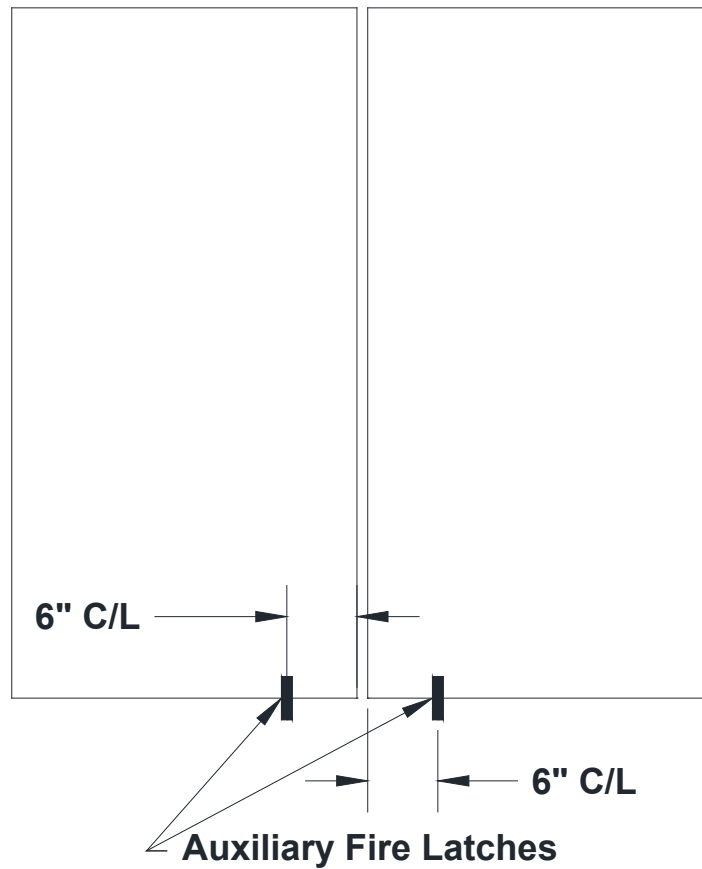
VT INDUSTRIES INC.
ARCHITECTURAL WOOD DOORS
800.827.1615
WWW.VTINDUSTRIES.COM/DOORS

1000 INDUSTRIAL PARK
P.O. BOX 490
HOLSTEIN, IA 51025



Product Update

AUXILIARY FIRE LATCH #4



Visit our website for the most recent versions of the updates at www.vtindustries.com/product-updates

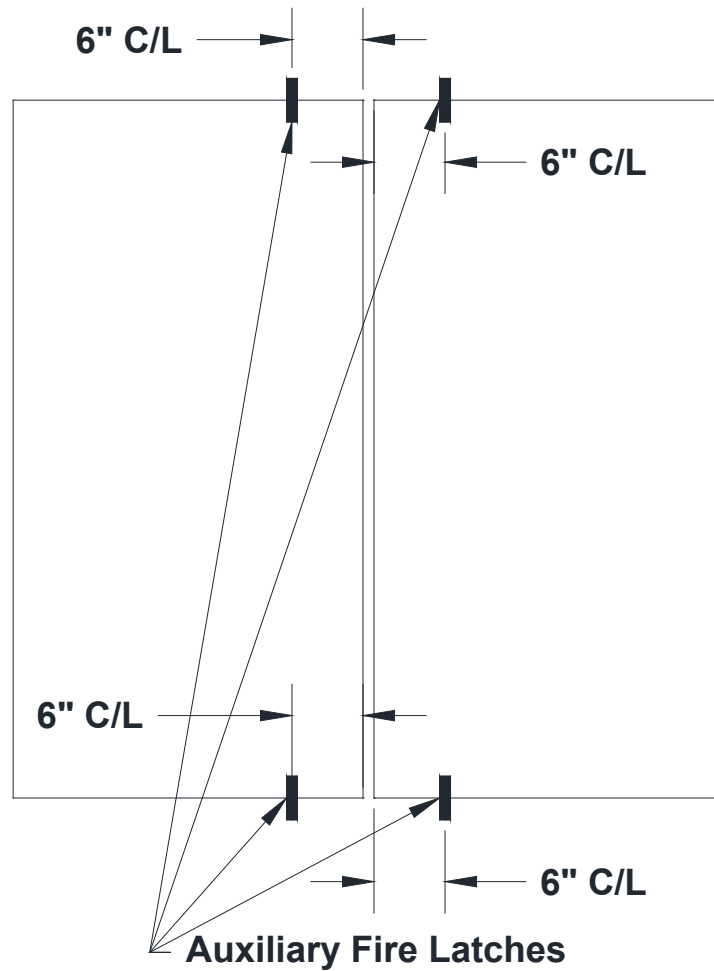
VT INDUSTRIES INC.
ARCHITECTURAL WOOD DOORS
800.827.1615
WWW.VTINDUSTRIES.COM/DOORS

1000 INDUSTRIAL PARK
P.O. BOX 490
HOLSTEIN, IA 51025



Product Update

AUXILIARY FIRE LATCH #5



Visit our website for the most recent versions of the updates at www.vtindustries.com/product-updates

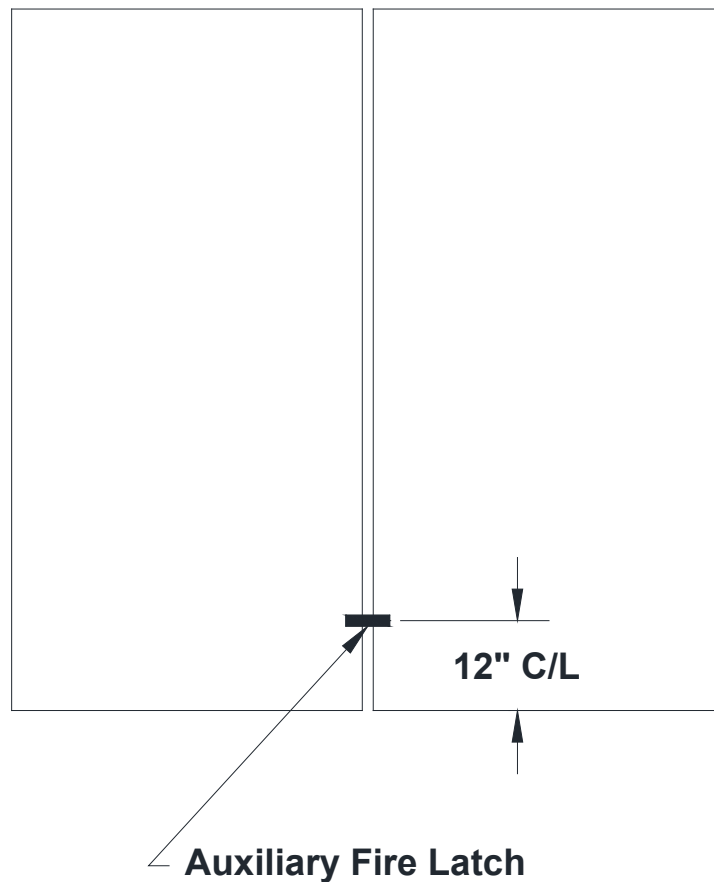
VT INDUSTRIES INC.
ARCHITECTURAL WOOD DOORS
800.827.1615
WWW.VTINDUSTRIES.COM/DOORS

1000 INDUSTRIAL PARK
P.O. BOX 490
HOLSTEIN, IA 51025



Product Update

AUXILIARY FIRE LATCH #6



Visit our website for the most recent versions of the updates at www.vtindustries.com/product-updates

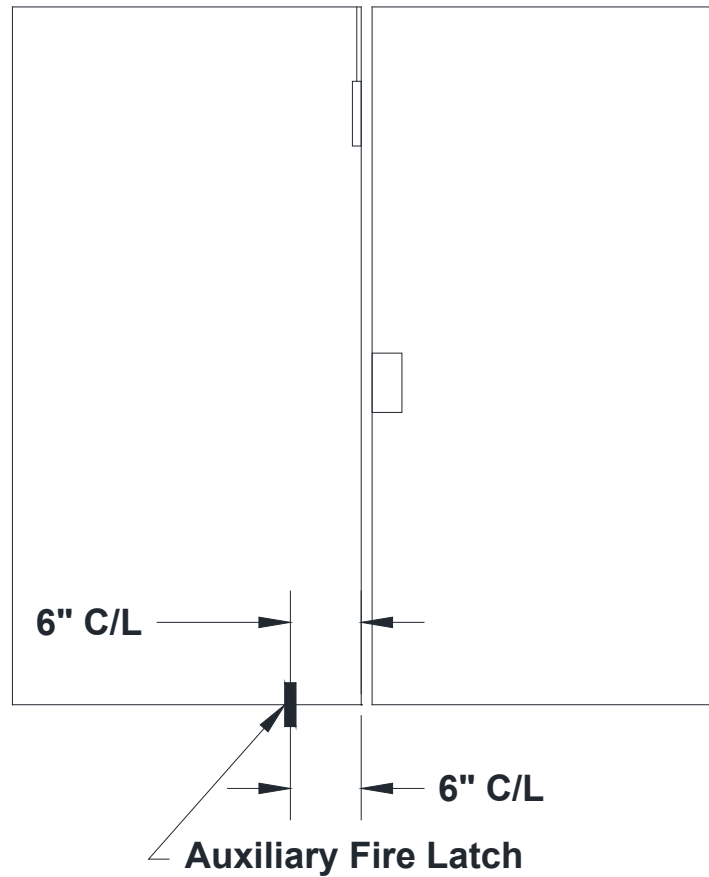
VT INDUSTRIES INC.
ARCHITECTURAL WOOD DOORS
800.827.1615
WWW.VTINDUSTRIES.COM/DOORS

1000 INDUSTRIAL PARK
P.O. BOX 490
HOLSTEIN, IA 51025



Product Update

AUXILIARY FIRE LATCH #7



Visit our website for the most recent versions of the updates at www.vtindustries.com/product-updates

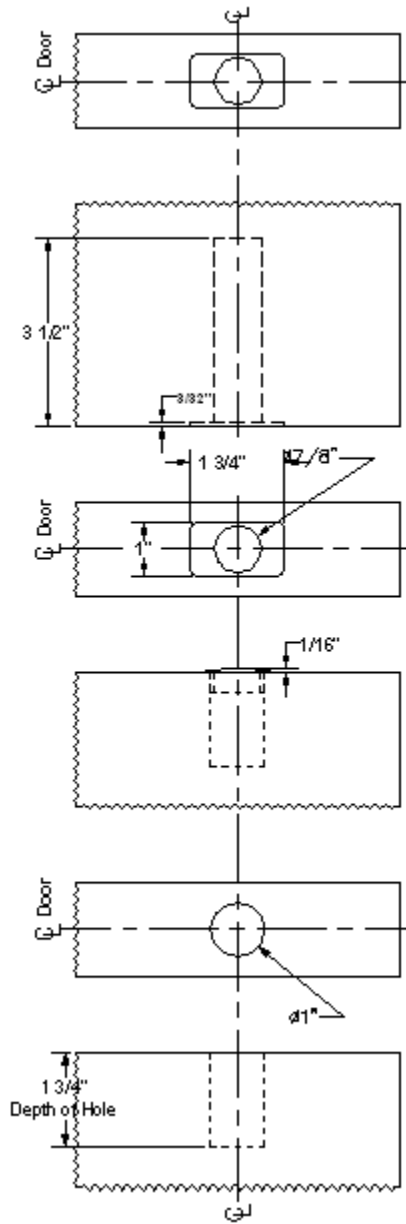
VT INDUSTRIES INC.
ARCHITECTURAL WOOD DOORS
800.827.1615
WWW.VTINDUSTRIES.COM/DOORS

1000 INDUSTRIAL PARK
P.O. BOX 490
HOLSTEIN, IA 51025



Product Update

AUXILIARY FIRE LATCH Cutout Dimensions



LATCH
STRIKE

*** LATCH PREP IS IN DOOR. PREP FOR STRIKE IN FRAME OR FLOOR.**

Visit our website for the most recent versions of the updates at www.vtindustries.com/product-updates

VT INDUSTRIES INC.
ARCHITECTURAL WOOD DOORS
800.827.1615
WWW.VTINDUSTRIES.COM/DOORS

1000 INDUSTRIAL PARK
P.O. BOX 490
HOLSTEIN, IA 51025