



Product Update

JULY 22, 2019

#P262

Revision 01

COMMON GLASS TYPES

FIRE & SAFETY RATED GLASS

Wired Glass:

1. VT will only glaze with safety rated version of wired glass such as Superlite I-W. Doors can be glazed with non-safety rated glass by others where the building code allows its use.
2. Standard Thickness of Superlite I-W is nominally 1/4" (actual thickness is approximately .300").
3. Patterns available: Diamond, Square (Baroque).

Superlite:

1. Superlite I, 1/4" glass for 20 minute only, can be etched prior to tempering.

Pyroedge Safety and Fire Rated:

1. 1/4" tempered for 20 minute only.
2. Glass can be etched, sandblasted, made obscure, or beveled *.
3. Glass can be radius – convex only not concave.
4. Requires special intumescent bead with 1/2" stop height

Pyroswiss 20 Safety and Fire Rated:

1. 1/4" tempered for 20 minute only.
2. Glass can be etched, sandblasted, made obscure, or beveled *.
3. Glass can be radius – convex only not concave.
4. Can be glazed with standard, non-intumescent wood beads with 5/8" stop height

SAFETY GLASS

Tempered Glass (Heat Treated):

1. Standard thickness 1/8", 3/16", 1/4".
2. 1/4" thick is most common, all thicknesses cost the same per square foot.
3. Meets safety glazing codes.
4. Cannot be cut after being heat treated.
5. When it breaks, explodes into very small non-jagged pieces.

Laminated Glass (2 pieces of 1/8" non-tempered glass laminated on either side of a plastic sheet):

1. Standard thickness 1/4".
2. Meets safety glazing codes.
3. When it breaks, it breaks in a spider web pattern with the plastic sheet holding the broken pieces together.

Bullet Resistant Glass:

1. Made of acrylic, polycarbonates, laminated safety glass combinations of these.
2. Thicknesses: the thickness varies between and within levels based on the other properties required such as fire rating or forced entry rating. Thickness and vision frame requirements will be determined as specified.
3. Meets safety glazing codes.



Product Update

X-RAY GLASS

Leaded (standard):

1. Thickness: 1/4" to 5/16" (This is equivalent to 1/16" lead shielding).
2. Does not meet fire or impact resistance requirements.
3. The new building codes do not allow non-safety rated glazing in doors, and VT will not install this glazing.

Leaded (safety rated):

1. Thickness: 9/16" (This is equivalent to 1/16" lead shielding).
2. Meet the impact resistance requirements.
3. This glass is not fire-rated by itself, but it can be used in labeled doors when installed in a dual glazed frame with fire rated glazing.
4. Cannot be glazed with wood beads.

*This allows the glazing to be made obscure glass or to add logo or other design. The tempered products, including Pyroswiss, Pyroedge, Fireglass 20 and Superlite 1, must be sandblasted before tempering. Orders will be priced out on a per job basis. Designs will require an approved drawing.

ACOUSTICAL GLASS

Standard Sealed Unit – from price list:

1. For non-fire rated doors
2. For 1 3/8" doors – 3/8" spacer – 3/4" thick
3. For 1 3/4" doors – 3/4" spacer – 1 1/8" thick
4. For 2 1/4" doors – 3/4" spacer – 1 1/8" thick
5. Maximum size for STC guarantee is 370 sq. inches, except for STC 36 up to 1296 square inches.

Double Glazed Metal Vision Panel:

1. For 20-minute doors.
2. Maximum size 370 square inches for STC guarantee.
3. Maximum 1296 square inches for fire label.

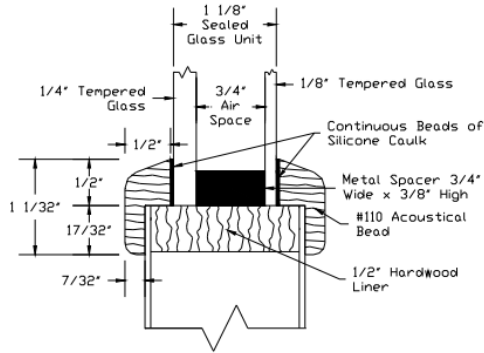
Sealed Unit Metal Vision Panel:

1. For 20 -minute doors.
 2. Maximum size 370 square inches for STC guarantee.
 3. Maximum 1296 square inches for fire label.
 4. Aesthetically better looking than double glazed unit, but much more expensive.
- Firelite Plus and tempered glass in a sealed unit and Anemostat Lo-Pro metal vision panel

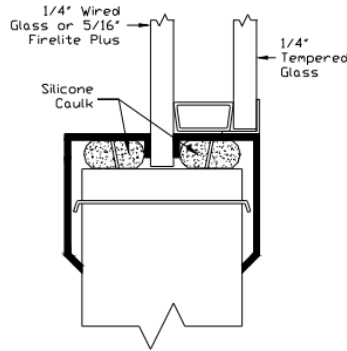


Product Update

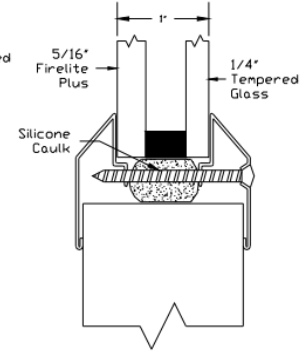
**110 Wood Bead
shown with
Sealed Glass Unit**



**115 Dual
Glazed Metal
Vision Frame**



**Metal Vision Frame
shown with
Insulated Glass
Unit**



45-MINUTE FULL LITE DOORS STOP DETAIL - VT14 (114)

