



Product Update

December 13, 2016

#P134F

Revision 01

Applies to Flush doors

EPT DEVICE APPROVAL ON 20-MINUTE THROUGH 90-MINUTE FIRE DOORS

VT now has approval through Intertek/Warnock Hersey for EPT devices in 20-minute through 90-minute fire doors, including positive pressure.

Door construction will require 3" Composite hinge site blocking.

The door backbox, supplied with the EPT device, is required for use on wood doors and must be lined with intumescent. VT will furnish the intumescent and application instructions (see diagram at right). The intumescent needs to be applied to the backbox by the hardware installer.

The device is allowed to be located above the 40" neutral pressure plane.

Mount door backbox.

- Line door backbox with supplied intumescent as shown in Figure 1A.
- Orient bevel of door backbox to match bevel of door as shown in Figure 1B.
- Remove rear knockout (rear knockout must be used in wood doors).
- Pull 5" of field wire through knockout. Install strain relief.
- Mount door backbox to door using supplied screws as shown in Figure 1C.

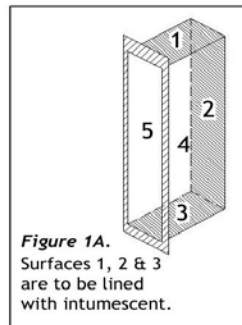


Figure 1A.
Surfaces 1, 2 & 3
are to be lined
with intumescent.

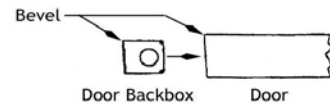


Figure 1B. Beveled edge of door backbox.

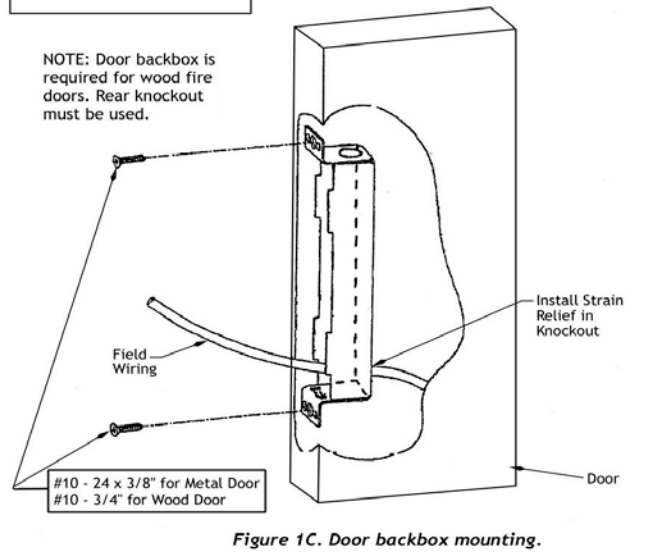


Figure 1C. Door backbox mounting.