

# INSTALLATION INSTRUCTIONS

## TWO PIECE ACOUSTICAL JAMB

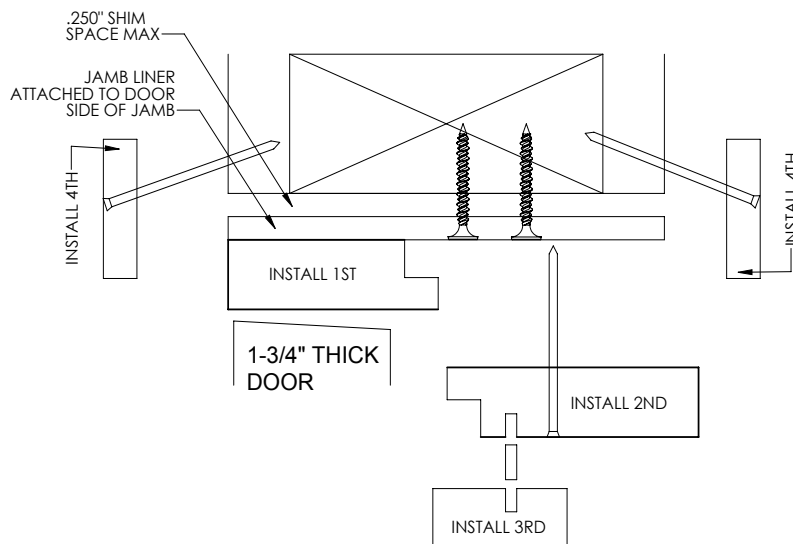


**Maximum overall opening:** 50-11/16" wide x 121-11/32" high. (Frame buck opening)  
**Maximum door opening:** Single 4-0 x 10-0  
**Wall depth:** Minimum 4-7/8"  
**Wall type:** Wall must be constructed to meet the STC rating and lined with a wood stud for jamb attachment.  
**Gasketing:** Please refer to separate handout for required gasketing installation.

- Door side of jamb is shimmed and installed first with #8 X 1-1/2" screws spaced maximum 4" from each end and 24" on center. Stop side of jamb is then installed flush with the wall. Space in between the two jamb components is okay. Attach stop side of jamb with #8 x 2" screws or 8d finishing nails spaced a maximum 6" from the end and 24" on center. Fasteners can be located underneath the stop.
- One #8 x 2" screw or 8d finish nail should be located at each hinge pocket and strike pocket on the door side of jamb before the hardware is installed.
- Shim space is maximum 1/4" must be tightly filled with fiberglass insulation.

**FLAT STOP:** Minimum 5/8" thick x 1-1/2" wide. Flat stops are installed with a 1/8" x 7/16" HDF spline and #4 finish nails or 18 gage x 1-1/2" long brads spaced maximum 4" from each end and 16" on center.

**CASING:** Minimum 3/8" thick x 1-1/2" wide. Casing is installed with minimum #4 finish nails spaced maximum 4" from each end and 16" on center and staggered.



\*Failure to install the frame in accordance with these installation instructions voids the possible STC rating.