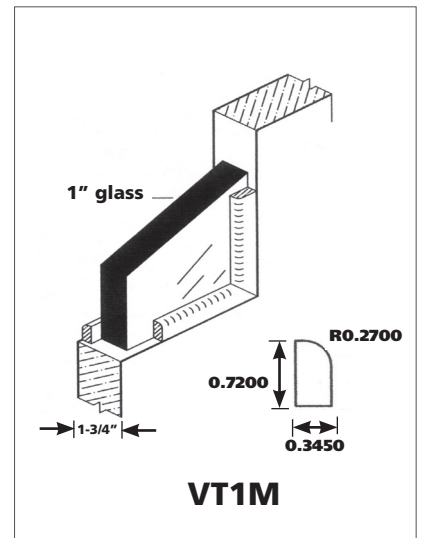
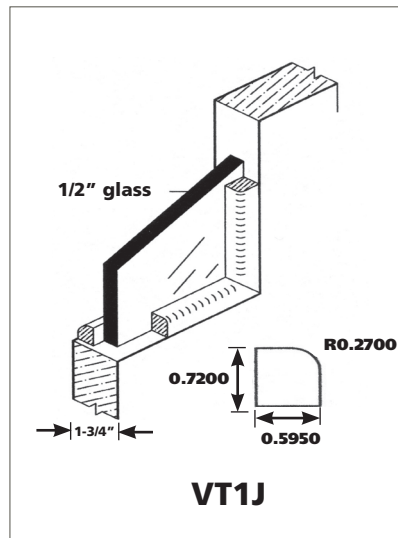
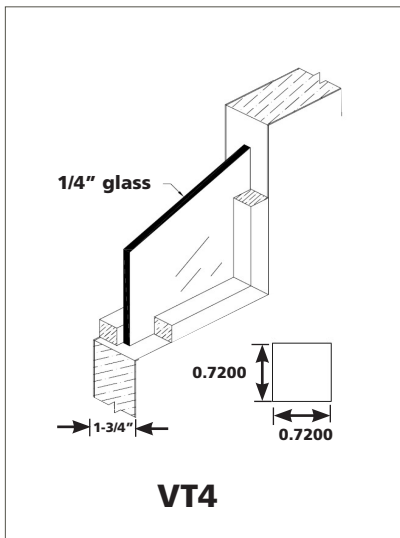
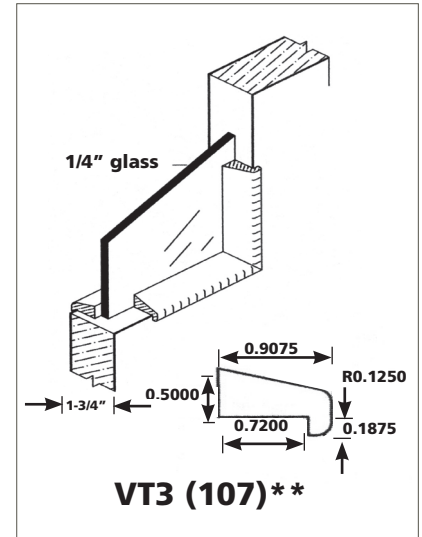
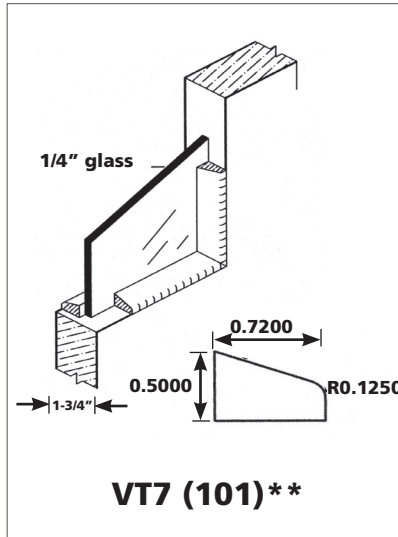
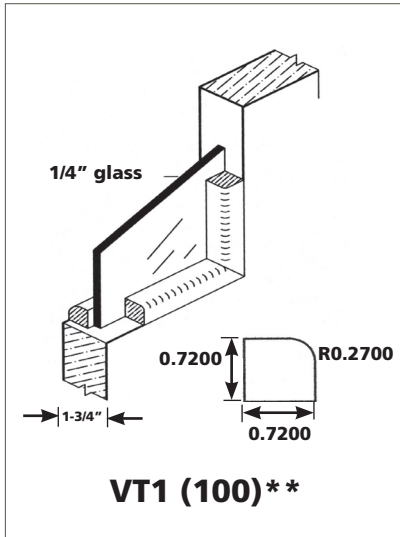


NON-RATED DOORS

Flush wood lite mouldings (also known as wood stops or beads) have one side fixed into place with brads at the factory. The other side is temporarily tacked into place so glass and glazing can be installed at the jobsite. Field fitting of glass and glazing is the responsibility of the installer. Use of a glazing tape or caulk is recommended to reduce glass rattle. All VT profiles have a tolerance of ± 0.005 . Factory installed glazing is available upon customer request.



NOTES:

- For acoustical lite kits, refer to Acoustical Doors information in your Order Process Guide.
- Refer to Product Update #P104F for more details.
- VT wood stops available for glass thicknesses other than noted above, please specify glass thickness on quote request or order. Contact your Customer Service Representative for questions or additional information.

** Dimensions may vary slightly depending on manufacturing facility.

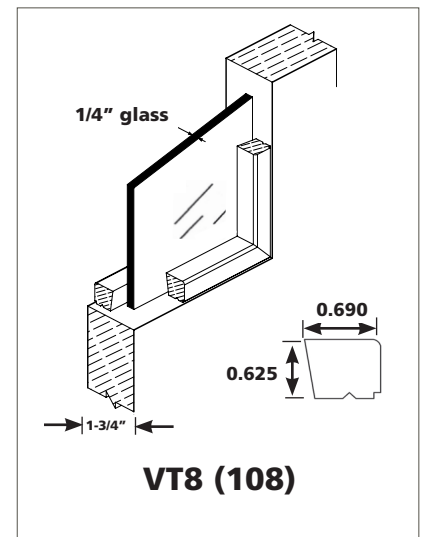
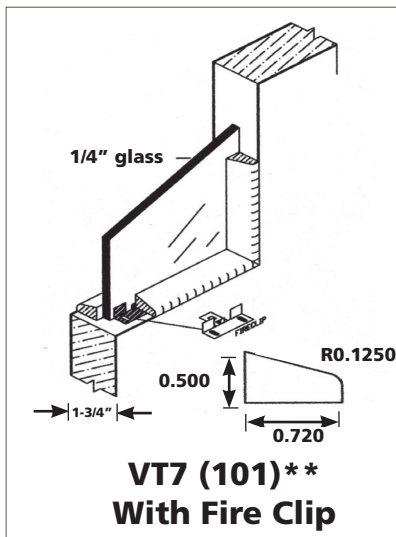
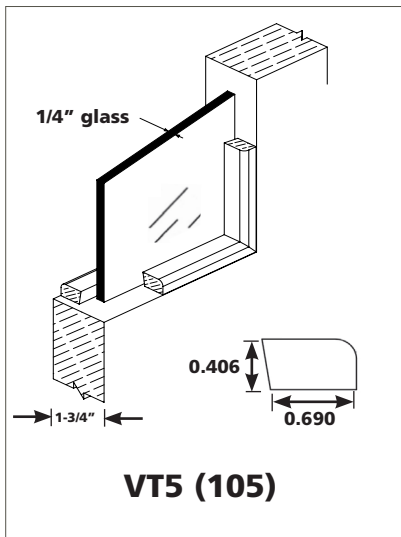
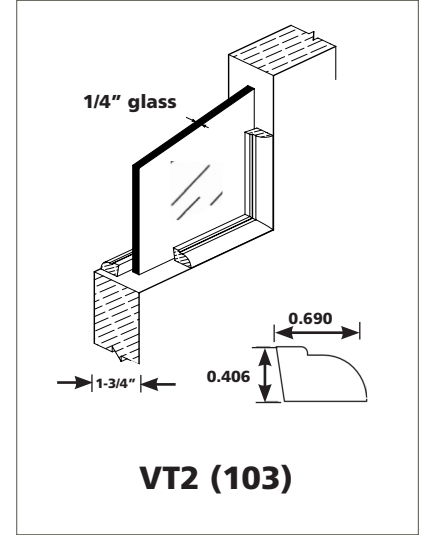
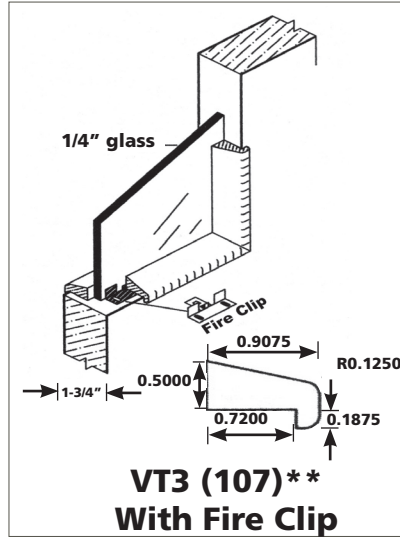
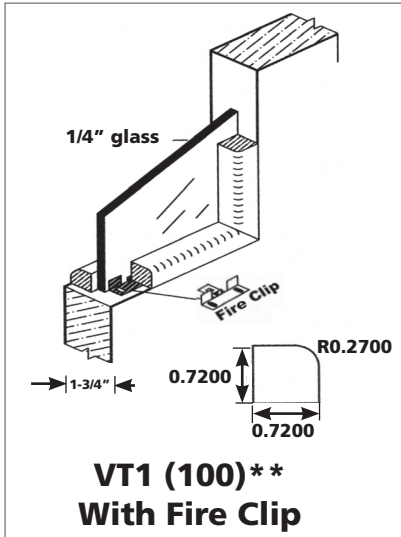
STANDARD LITE MOULDINGS

HERITAGE COLLECTION



20-MIN. FIRE RATED DOORS

VT wood lite mouldings have one side fixed into place with brads at the factory, along with one-half of Fire Clip™. The other side is temporarily tacked into place, so glass and glazing can be installed at the jobsite. Remaining halves of Fire Clips™ are shipped loose, to be installed with glass. Field fitting of glass and glazing is the responsibility of the installer. Use of a glazing tape or caulk is required. All VT profiles have a tolerance of ± 0.005 . Factory installed glazing is available upon customer request. Any 20-minute lite moulding is also available in a non-rated construction.



NOTES:

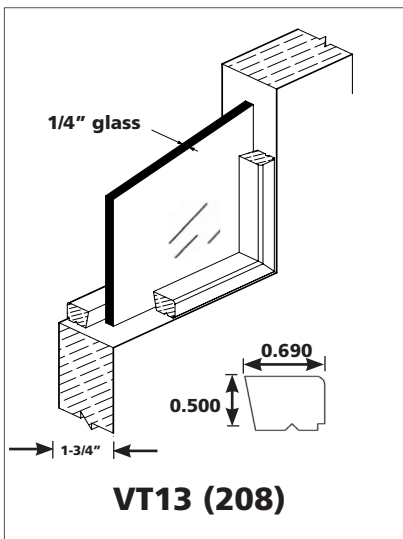
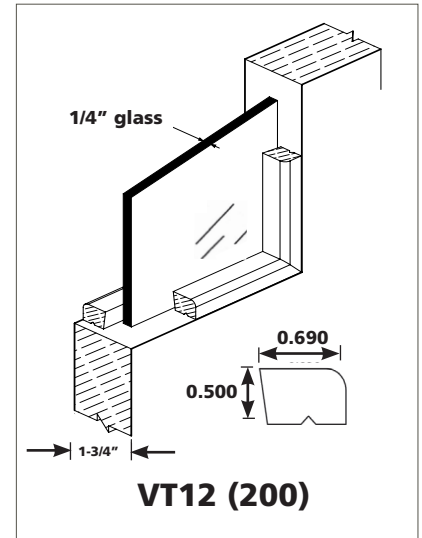
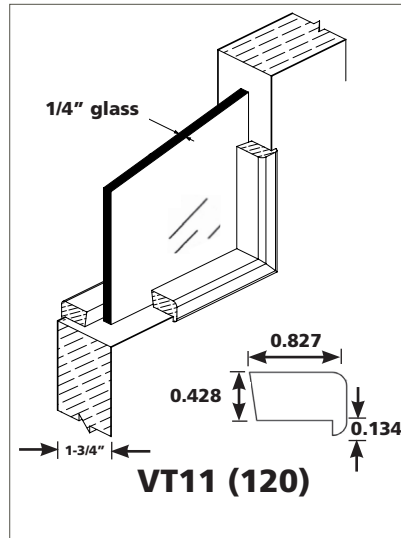
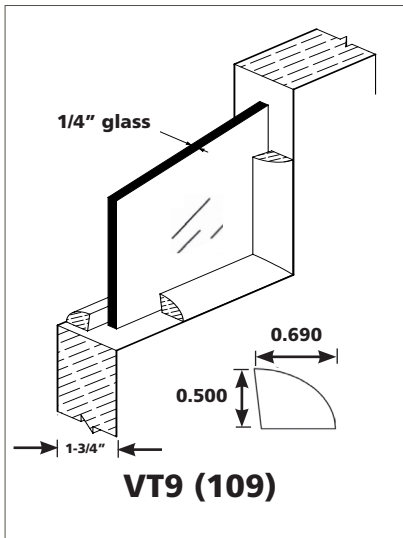
- For acoustical lite kits, refer to Acoustical Door info. in the Order Process Guide. For lead lined kits, see lead lined doors in the Order Process Guide
- Refer to Product Update #P104F for more details.
- VT wood stops available for glass thicknesses other than noted above, please specify glass thickness on quote request or order. Contact your Customer Service Representative for questions or additional information.

** Dimensions may vary slightly depending on manufacturing facility.

1000 INDUSTRIAL PARK • HOLSTEIN, IA 51025 • 800.827.1615
164 NORTH LAKE STREET • NEENAH, WI 54956 • 920.722.6444

VTDOORS.COM

20-MIN. FIRE RATED DOORS (Cont'd)



NOTES:

- For acoustical lite kits, refer to Acoustical Door info. in the Order Process Guide. For lead lined kits, see lead lined doors in the Order Process Guide
- Refer to Product Update #P104F for more details.
- VT wood stops available for glass thicknesses other than noted above, please specify glass thickness on quote request or order. Contact your Customer Service Representative for questions or additional information.

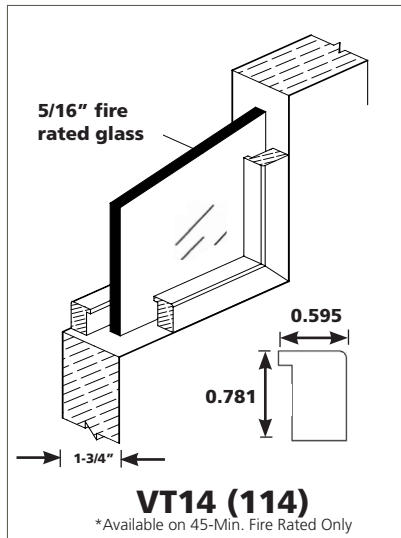
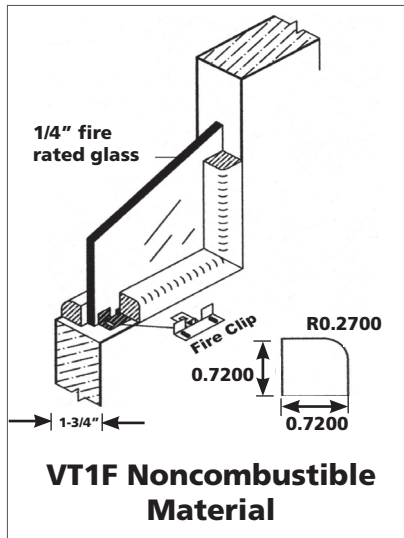
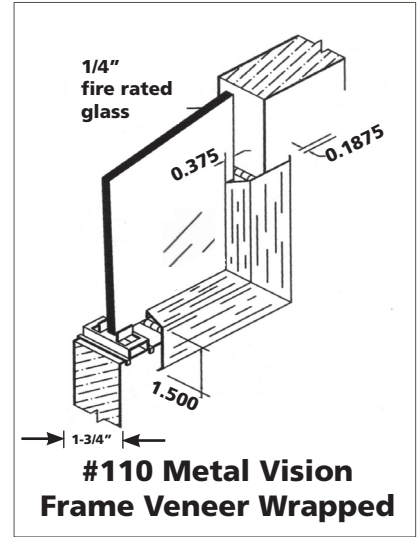
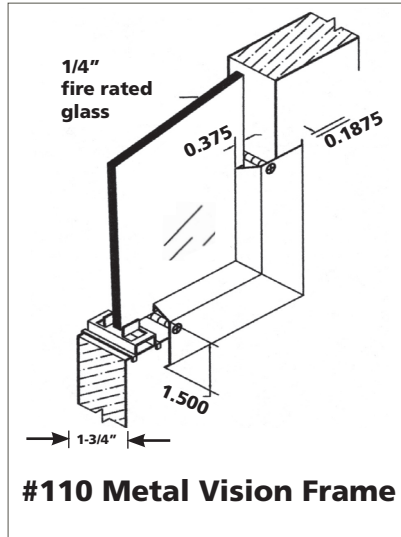
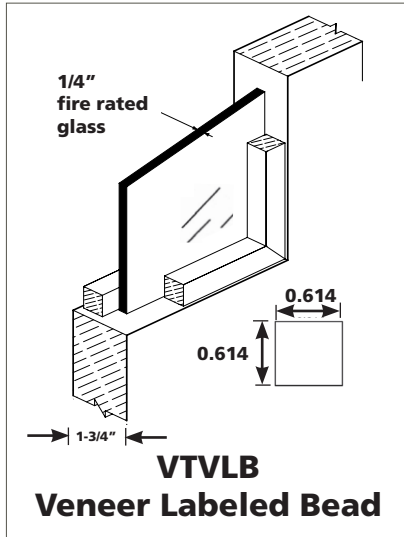
** Dimensions may vary slightly depending on manufacturing facility.

STANDARD LITE MOULDINGS

HERITAGE COLLECTION

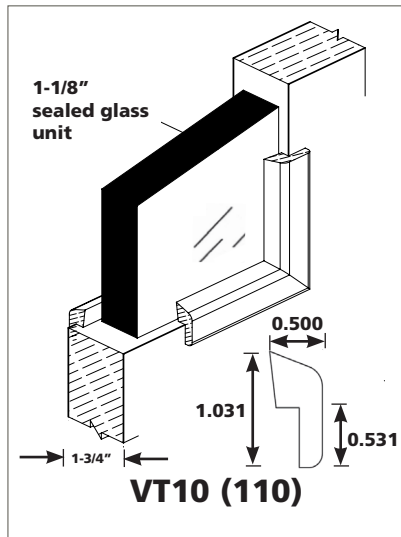
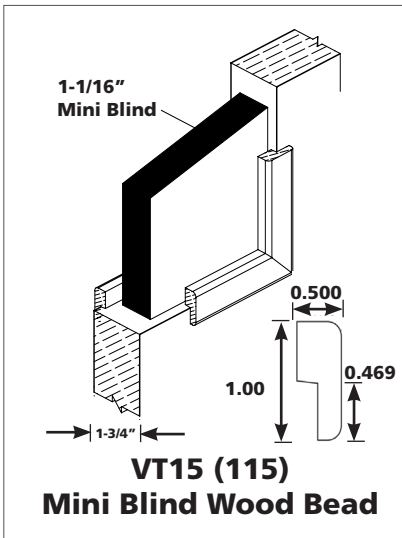
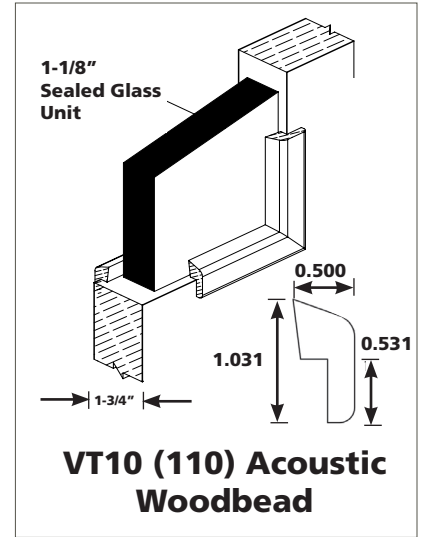
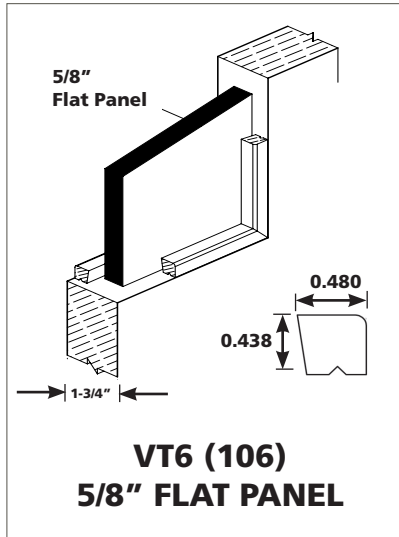
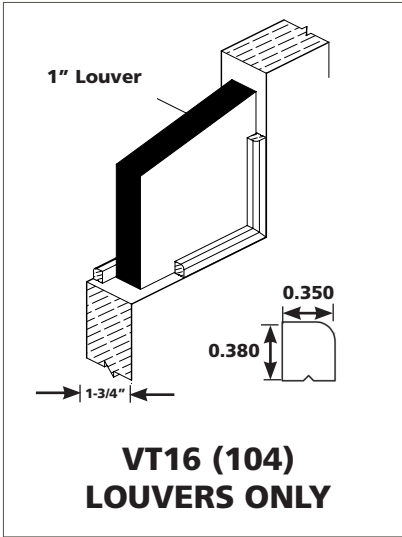
45-, 60-, 90-MIN. FIRE RATED DOORS

Metal vision panels arrive with beige polyester powder coating. Other paint colors are available for additional cost.



1000 INDUSTRIAL PARK • HOLSTEIN, IA 51025 • 800.827.1615
164 NORTH LAKE STREET • NEENAH, WI 54956 • 920.722.6444

SPECIALTY CONSTRUCTIONS



Calculating Visible Lite Dimension	
Profile	Visible Lite = Cutout - Dimension Listed Below
VT1 (100)	1-1/4"
VT1J	1-1/2"
VT1M	1-1/2"
VT1F	1-1/2"
VT1FP	1-1/2"
VTVLB	1-1/4"
VT2 (103)	13/16"
VT3 (107)	3/4"
VT4	1-1/2"
VT5 (105)	13/16"
VT6 (106)	7/8"
VT7 (101)	13/16"
VT8 (108)	1-1/4"
VT9 (109)	1"
VT10 (110)	1"
VT11 (120)	55/64"
VT12 (200)	1"
VT13 (208)	1"
VT14 (114)	1-9/16"