



**PRINCIPLE BENEFITS AND FEATURES OF THIS CONSTRUCTION**

- Less than 7 pounds/sq. ft. base weight
- Lead-free
- Available with a 20-minute fire rating
- LEED® MR7- Certified Wood, MR4 - Recycled Content and EQ4.4 - No Added Urea-Fomaldehyde available

**ENGINEERING SPECIFICATIONS**

**Sizes:** Min. 2'-0" x 6'-0", Max. 4'-0" x 10'-0"

**Thickness:** 1-3/4"

**Frame:** Tested in grouted steel frame, must be installed in frame that will maintain the acoustical rating

**Stiles:** Meets WDMA Extra Heavy Duty I.S. 1A Performance Level

**Faces:** Wood Veneers, MDO, High-Pressure Decorative Laminate, Vinyl

**Latching Hardware:** Single Point Latch

**Hinges:** Level Swing - Butt Hinges

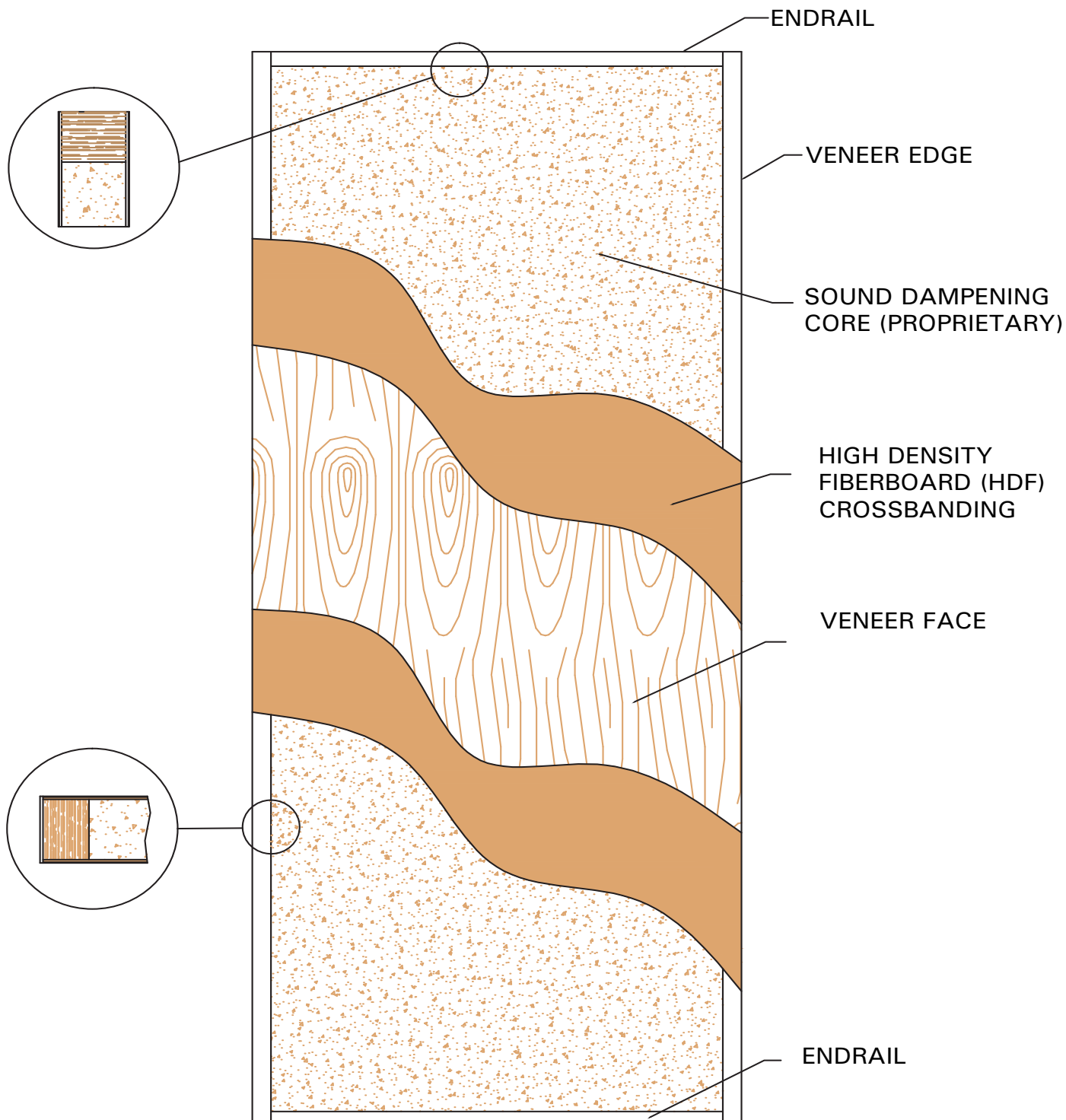
**LEED® Contributions:** MR4 - Recycled Content, EQ4.4 - No Added Urea-Formaldehyde

**Standards:** ASTM E90, E413

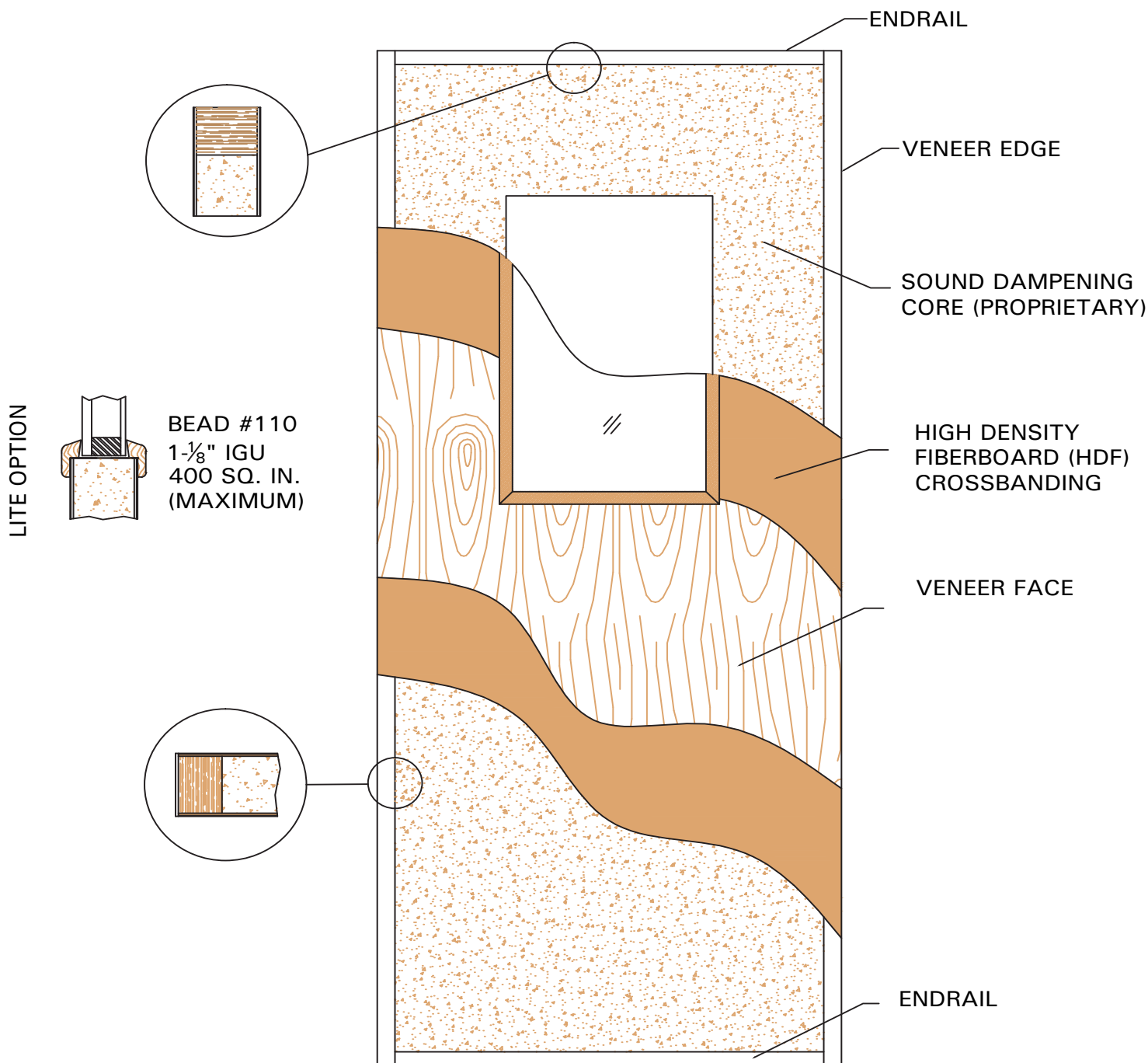
SINGLE SWING FLUSH DOORS	STC 33-39		STC 33-38		STC 33-37	
Fire-Rating	N/A					
Lites	N/A	N/A	Bead: 110 1-1/8" NR IGU 400 sq. in. max		Bead: 107 1/2" Laminated 1296 sq. in. min	Bead: 110 1-1/8" NR IGU 1296 sq. in. min
Gasket Systems	S or T	U	S or T	U	S or T	
Test Report	E1460.01-113-11 C7672.02A-113-17	E1460.01-113-11 C7672.02B-113-17	E1460.01-113-11 C7672.02C-113-17	E1460.01-113-11 C7672.02D-113-17	E1460.01-113-11 C7672.02E-113-11	
Weight Per Square Foot	5.7 lbs		5.9 lbs			6.4 lbs.

SINGLE SWING FLUSH DOORS	STC 33-36		STC 35		STC 36
Fire-Rating	N/A			20-Min	
Lites	Bead: 107 1/2" Laminated 1296 sq. in. min	Bead: 110 1-1/8" NR IGU 1296 sq. in. min	Bead: 110 1-1/8" NR IGU 400 sq. in. min	N/A	
Gasket Systems	U		O	I	P
Test Report	E1460.01-113-11 C7672.02F-113-11		TL10-144	TL10-136	100534284CRT-001I
Weight Per Square Foot	5.9 lbs.	6.4 lbs.	7.3 lbs.		6.3 lbs.

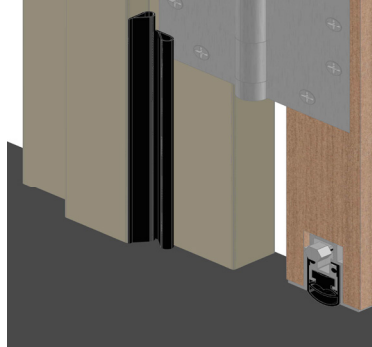
DOOR ELEVATION - STC 33-39 SG11



DOOR ELEVATION - STC 33-38 SG11

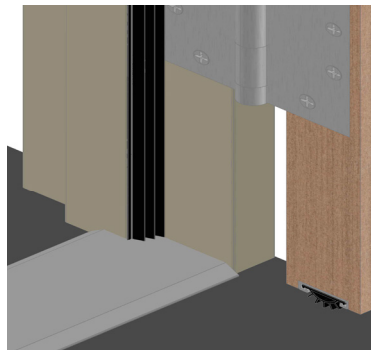
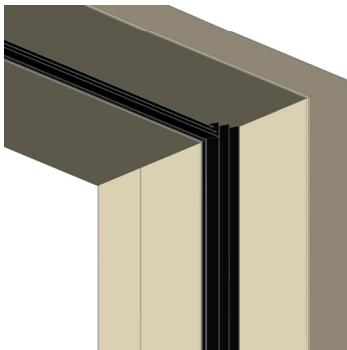


**GASKETING SYSTEMS**



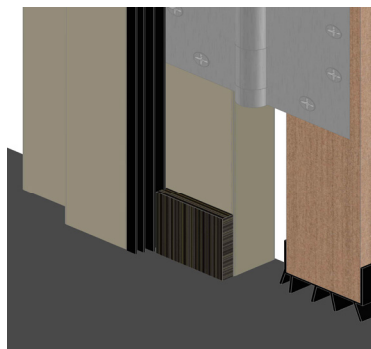
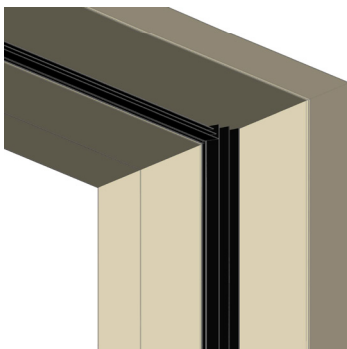
**Gasket System I**

- Double row Pemko S-88 adhesive gasketing
- Zero 369 automatic door bottom
- Required Undercut - 5/8"



**Gasket System O**

- Pemko 773 adhesive gasketing
- Pemko 234 door shoe
- 1/4" flat smooth threshold (i.e. Pemko 151)
- Required Undercut - 3/8"



**Gasket System P**

- DHSI 105 - "Cush 'N' Seal"
- DHSI SA - Self Adhesive Surface Astragal
- DHSI CS - Cap Sweep Door Bottom
- DHSI DP - Decibel Plug
- Required Undercut - 3/8"

Please Note - VT's standard offering for the Pemko 434 is the ARL seal and for the Pemko 2005 is the AT seal.

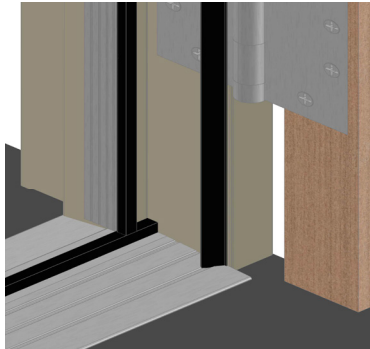
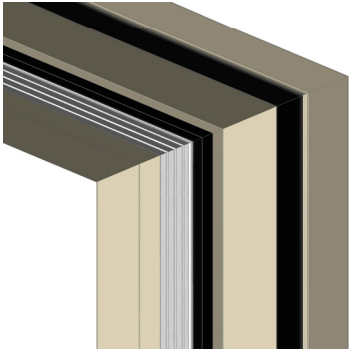
DHSI DP - Decibel Plugs

DP .375 (3/8") - Solid Wood Edge Option (SWE)

DP .250 (1/4") - Full width mortise

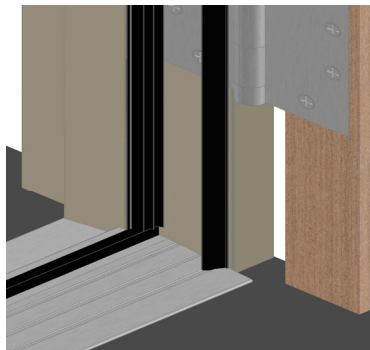
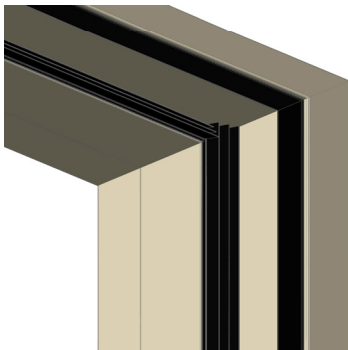
Please see [www.dhsi-seal.com](http://www.dhsi-seal.com) for more information on DHSI seals and gaskets.

**GASKETING SYSTEMS**



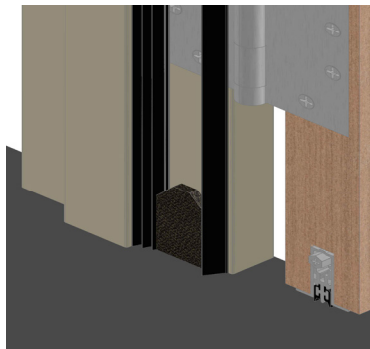
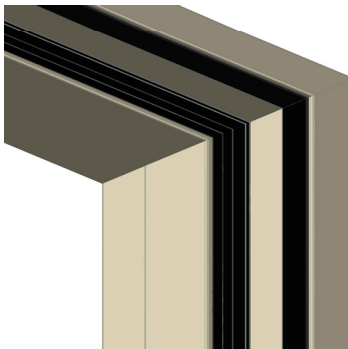
**Gasket System S**

- Pemko 2008STCxQ380 raised threshold
- Pemko S44 adhesive gasketing
- Pemko 312\_R perimeter gasketing
- Required Undercut - 3/8"



**Gasket System T**

- Pemko 2008STCxQ380 raised threshold
- Pemko S773 adhesive gasketing
- Pemko S44 gasketing
- Required Undercut - 3/8"



**Gasket System U**

- Pemko PDB411 automatic door bottom
- Pemko S773 adhesive gasketing
- Pemko S44 adhesive gasketing
- Pemko ACP112 acoustic corner pad
- Required Undercut - 3/8" (1/4" - 1/2")