

FORWARD 
by VT Industries®

**COMMERCIAL DOORS
IN AS FEW AS 3 DAYS*!**



EXPEDITED CRAFTSMANSHIP

*Lead times subject to change based on market demand and door specification

Introducing Forward by VT Industries

Forward-FOCUS

Built on a foundation of quality products and unparalleled service, VT Industries has been a leading force in the commercial door industry for over 60 years. Today, VT continues to lead with innovation and forward-focus, to bring you the high-quality products you expect from VT in a lightning-fast timeline to suit the demands of today's projects.

We understand that your project timelines are as unique as the projects themselves. With Forward by VT Industries, we offer a tailored collection of door products that help satisfy even the shortest timeline, **nationwide delivery and unparalleled customer service.**



Quick
Lead Times



High-Quality
Products



World-Class
Customer Service



Vast Product
Offering



Nationwide
Availability

The Right Products

Precisely TAILORED

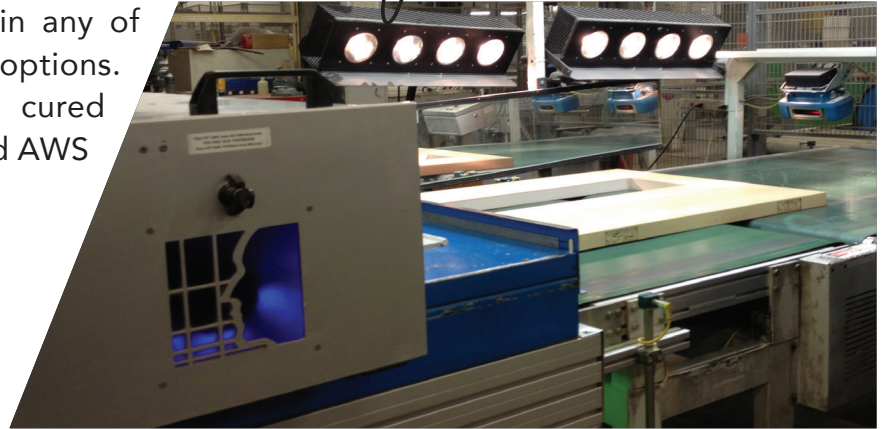
Precisely tailored, the Forward by VT product line-up offers a solution for the market's most-requested species, sizes, and hardware requirements. With nine veneer species, six high pressure decorative laminate options, a variety of standard and custom door sizes, and a wide range of fire-ratings, the Forward by VT door line up ensures that we have product on-hand and ready-to-ship when you need it.



Factory Finishes

Always UV CURED

Forward by VT doors are available in any of VT Industries' standard factory finish options. Each door features a durable, UV cured factory finish to meet WDMA TR-8 and AWS System 9 standards.



Factory finished plain sliced red oak veneer

Flush Wood Veneer Doors

Forward by VT offers today's most popular flush wood veneer door options providing a stylish wood appearance with an upscale design. With our most sought-after veneer selections, we're confident we have the perfect flush wood veneer door for your project.



Upscale DESIGN

Specialty Doors

Forward by VT also offers a line of specialty doors including options for full, square, and extra blocking to allow more flexibility for unique applications and door sizing.



Unique APPLICATIONS

Commercial Paintable Surface

Commercial grade paintable surface doors from Forward by VT add depth to the product portfolio and are a cost-effective choice. They bring design versatility and budget flexibility to projects that need it most.



Cost EFFECTIVE

High Pressure Decorative Laminate Doors

Beautifully CONSISTENT

High pressure decorative laminate doors are a great solution when visual consistency and durability are required. Available in thousands of color and patterns and offer proven durability and cleanability for high-touch and high-traffic zones.



Molded Panel Doors

Forward by VT's collection of molded panel doors, available in an array of flat and raised panel elevations, provide a stylish and affordable alternative to flush doors. These doors arrive primed and ready to paint, helping drive efficiency and to move your projects forward.



Elevated STYLE

The Right Products

Forward by VT stocks a wide range of face materials to accommodate nearly any project requirements.

- Primed HDF
- PHB: Commercial Paintable Surface
- High Pressure Decorative Laminates

Expedited DELIVERY

- Wood Veneers
 - Rift Cut Natural Birch
 - Rift Cut White Birch
 - Plain Sliced White Birch
 - Plain Sliced Red Oak
 - Plain Sliced Cherry
 - Plain Sliced White Maple
 - Rift Cut White Oak
 - Quarter Sliced Walnut

Glass & Hardware Capabilities

Visibility MATTERS

Lite options are just one way Forward by VT offers you added visibility for your fast-paced commercial projects. We offer the most popular size of glass and lite kits, helping you meet the requirements for non-rated and fire-rated glass.



Glass Options:

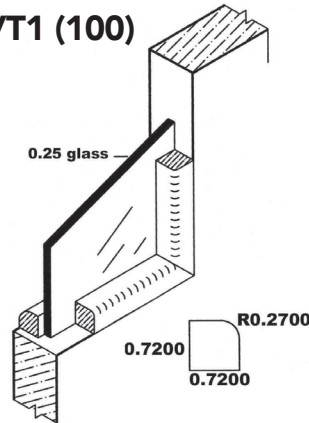
Glass Options:	Glass Size
1/4" Clear Temp Glass	4" x 25"
1/4" Clear Temp Glass	3" x 33"
1/4" Clear Temp Glass	22" x 30"
1/4" Clear Temp Glass	22" x 54"
1/4" Clear Temp Glass	22" x 60"
1/4" Clear Temp Glass	22" x 66"
3/16" 90-minute Glass	4" x 25"

Lite Kit Options:

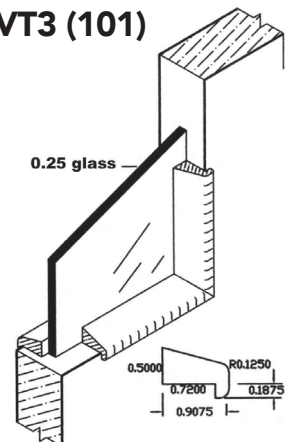
Lite Kit Options:	Visual Order Size
#110 Metal Vision Kit - Beige	4" x 25"

Standard Lite Moulding Options:

VT1 (100)



VT3 (101)



VT1 and VT3 moulding are available in all sizes for non-rated applications. *Custom sizes are available.

VT1 and VT3 Moulding Options:

Both are available in six wood species, Red Oak, Maple, Birch, Oak, Cherry, and Walnut.

Flat Wood Astragal Options:

Astragals are available unfinished or finished in six wood species, Red Oak, Maple, Birch, Oak, Cherry, and Walnut.

Contact your Forward by VT customer service representative to discuss hardware machining and accessory options.

Quality Service & Nationwide Availability

Industry LEADING

When you think VT, you think Customer Service. With over 65 years of industry-leading expertise, Forward by VT offers the same, world-class customer service and focused support you've come to expect with VT Industries. Our staff is trained to assist you every step of the way with friendly, timely, and expert service.



Quick LEAD TIMES

Forward by VT's team is focused on helping you grow your business and complete your projects faster with high quality doors delivered weekly or bi-weekly. With our nationwide coverage, and our exceptionally quick lead times, we've got you covered, each and every time.



Delivering Doors at the *Speed of Business* 

DELIVERING THE RIGHT PRODUCTS,
AT THE RIGHT TIME,
TO MOVE YOUR BUSINESS

FORWARD 

by VT Industries®



SCAN TO LEARN MORE



CUSTOMER
SERVICE

833.739.1395
ForwardbyVT@vtindustries.com
ForwardbyVT.com



© 2024 VT Industries, Inc. All rights reserved. 17514 04-2024