

## Trump International Hotel & Tower Soho

### Project Profile:

The name Trump is synonymous with premium real estate in New York City. The Trump International Hotel & Tower is located in the fashionable SoHo district of New York City and is marketed as an ultra luxury hotel condominium.

### Building Challenge:

The sleek, glass-encased, 46-story-tall tower features 391 rooms and suites, each of which required doors that would live up to the Trump name in terms of premium distinction and rare beauty.



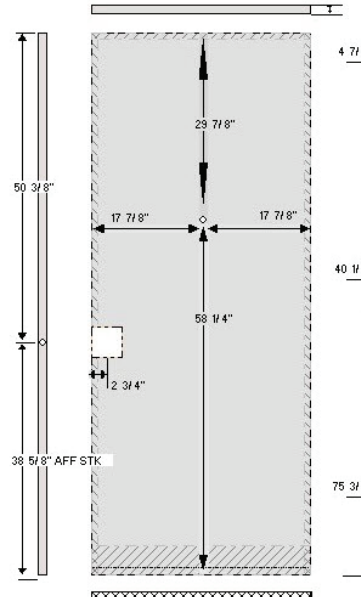
Creating ultra-premium doors with impeccable design distinction was a priority.



Doors with extended fire ratings were required to meet code inside the building at 45 and 90 minutes.

### VT's Contribution:

VT Industries manufactured 897 total doors for the Trump International Hotel. Two types of doors were produced: Macassar Ebony flush wood veneer doors with a special veneer which were hand-selected for distinction.



*Ultra-premium doors with impeccable design distinction and performance*

