

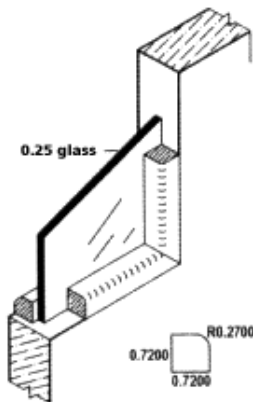
## STANDARD LITE MOULDINGS

### Heritage Doors

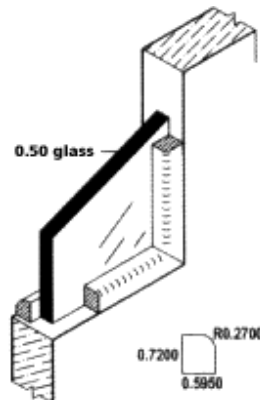
#### Non-Rated Doors

Flush wood lite mouldings (also known as stops, or beads) have one side fixed into place with brads at the factory. The other side is temporarily tacked into place so glass and glazing can be installed at the jobsite. Field fitting of glass and glazing is the responsibility of the installer. Use of a glazing compound or caulking is recommended to reduce glass rattle. All VT profiles have a tolerance of  $\pm 0.005$ . Factory installed glazing is available upon customer request.

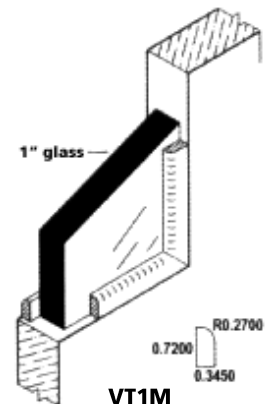
Standard wood stop materials are as follows: Doors with laminate faces will use poplar stops. Doors with wood veneer faces will have stops that match the face veneer.



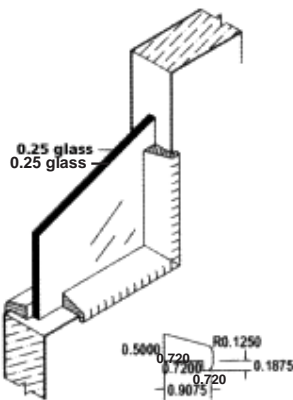
VT1



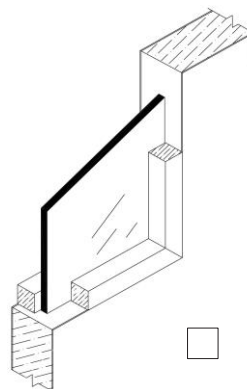
VT1J



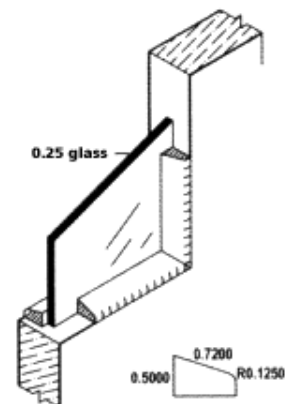
VT1M



VT3



VT4



VT7

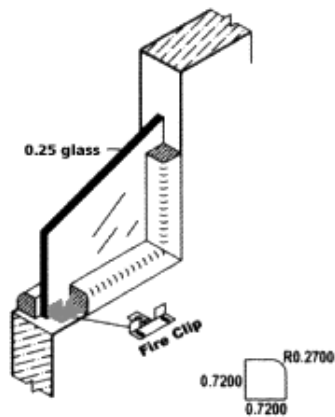
#### Notes:

- ☐ For acoustical lite kits, refer to Acoustical Doors information in your Order Process Guide.
- ☐ Refer to Product Update #P104F for more details.
- ☐ VT wood stops available for glass thicknesses other than noted above, please specify glass thickness on quote request or order. Contact your Customer Service Representative for questions or additional information.

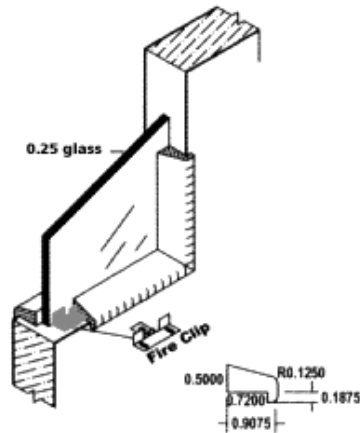
### 20-Minute Fire Rated Doors

VT wood lite mouldings have one side fixed into place with brads at the factory, along with one-half of Fire Clip™. The other side is temporarily tacked into place so glass and glazing can be installed at the jobsite. Remaining halves of Fire Clips™ are shipped loose, to be installed with glass. Field fitting of glass and glazing is the responsibility of the installer. Use of a glazing compound or caulking is required. All VT profiles have a tolerance of  $\pm 0.005$ . Factory installed glazing is available upon customer request.

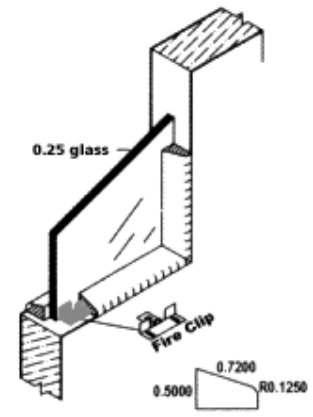
Standard wood stop materials are as follows: Doors with laminate faces will use poplar stops. Doors with wood veneer faces will have stops that match the face veneer.



VT1



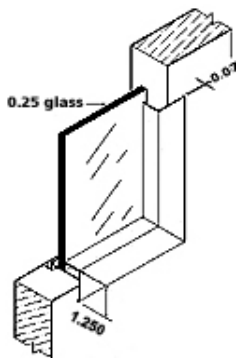
VT3



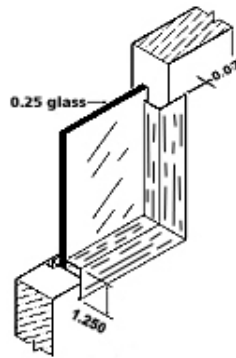
VT7

### 45-, 60- and 90-Minute Fire Rated Doors

Metal vision panels arrive with beige polyester powder coating. Other paint colors are available for additional cost.

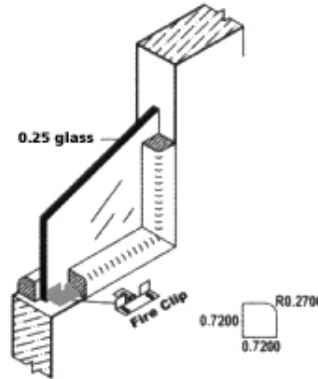


#110  
Metal Vision Frame

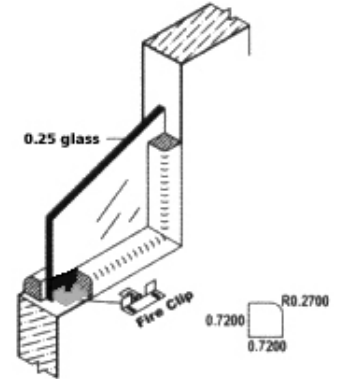


Veneer Wrapped #110  
Metal Vision Frame

#110 Metal Vision Panels are also available in non rated and 20 minute.



VT1F  
Noncombustible Material



VT1FP  
with Intumescent

#### Notes:

- For acoustical lite kits, refer to Acoustical Doors information in your Order Process Guide.
- For lead lined lite kits, see Lead Lined Doors information in your Order Process Guide.
- Refer to Product Update #P104F for more details.
- VT wood stops available for glass thicknesses other than noted above, please specify glass thickness on quote request or order. Contact your Customer Service Representative for questions or additional information.
- VTIF & VTIFP are available on veneer doors only.