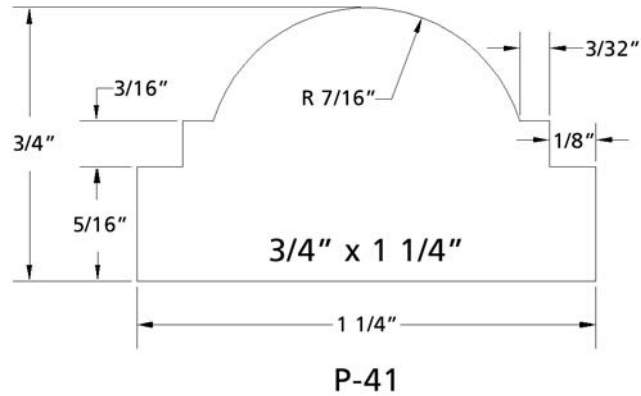


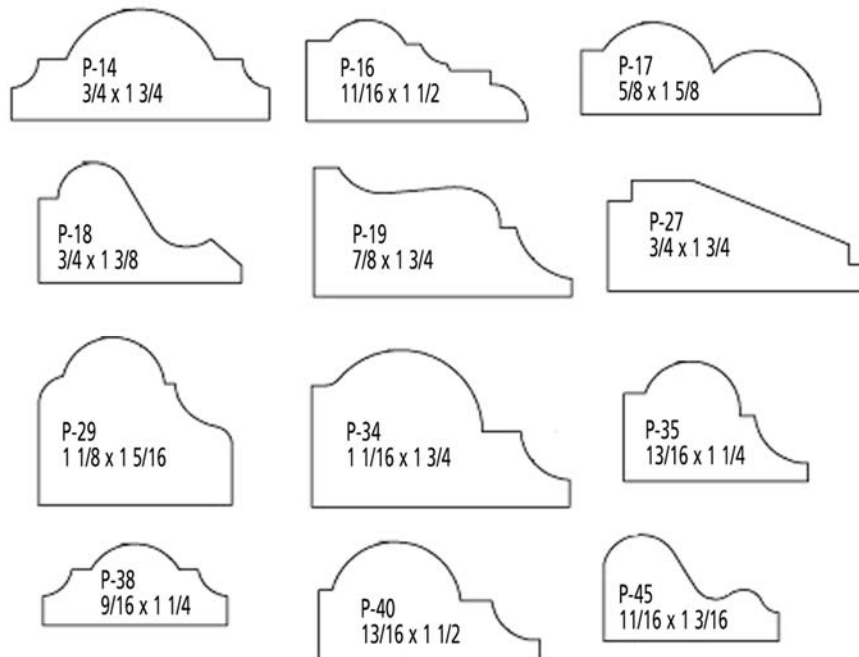


## SURFACE APPLIED MOULDINGS

VT offers an assortment of applied mouldings including the P-41, which is the most popular profile available.



Below are the different surface applied moulding profiles available for use on VT doors. When sending an order in please specify which profile is being used for the project.



VT also offers custom moulding profiles. Contact your customer service representative for more details.