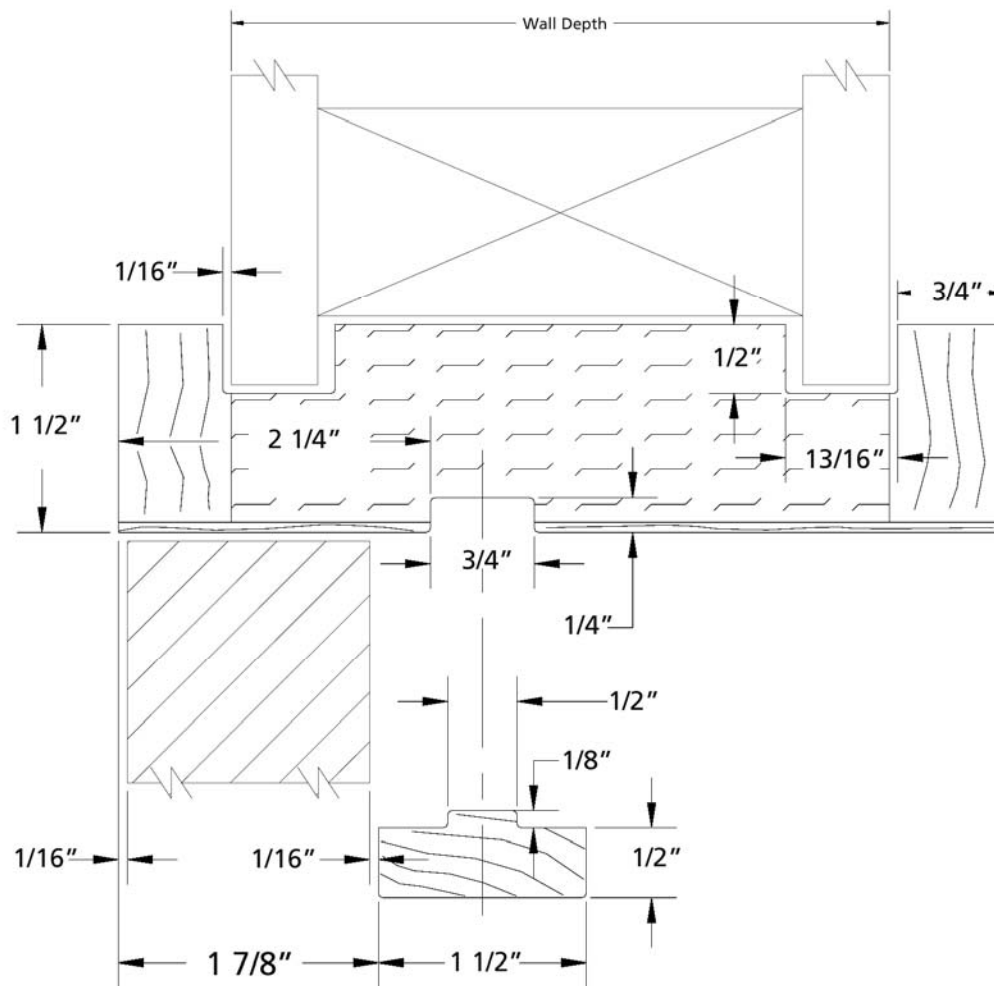


WOOD DOOR JAMBS Heritage Collection

VT provides wood door jambs to help you create perfectly coordinated openings.

- Choose from a variety of wood veneers to match VT door faces.
- 20-minute fire rating available, maximum 4-0 x 9-0 opening size.
- Solid wood stop.
- SCL substrate provides dimensional stability.
- 10-foot maximum length for non-rated use.
- Jobsite assembly





VT INDUSTRIES WOOD JAMB INSTALLATION INSTRUCTIONS

Heritage Collection

Installation instructions for a 20-minute, positive pressure fire-rated single or pair wood veneer door jamb.

1. Begin installation of the wood door jamb after rough framing has been completed, and prior to installing gypsum wallboard. The metal studs on either side of the rough door opening should be left unfastened; these will be screwed to the back of the frame during installation.
2. Cut hinge legs to length. The frame heads will be shipped at the exact length. All hardware machining is referenced from the top of the frame leg. Only the bottom of the leg should ever be cut or trimmed. Hinge legs are shipped with a 2" scribe to be cut according to door height and any irregularities in the floor surface. The dadoed legs are on the top of the wood jamb.
3. Attach the hinge & strike legs to the jamb head using (4) #8-3" screws at each joint. See screw pattern below (fig. 2).
4. Place the jamb in rough opening and level. Shim under the bottom of the legs if needed.
5. Screw the metal stud to the back of the hinge leg. The stud should be centered on the back of the leg and secured using 1 ¼" drywall screws 4" from each end, and every 16" on center (fig. 1). This spacing should be used for all legs and heads.
6. Plumb the strike leg. Once the hinge leg is plumb, attach the metal stud to the bottom track (fig. 1A).
7. Repeat step 6 to attach the top of the stud to the track (fig. 1B).
8. Attach the metal stud to the hinge leg using previous steps 6 & 7.
9. Attach the stud to the track at the top of the hinge leg (fig. 1C).
10. Adjust the door opening for width and attach the stud to the track at the bottom (fig. 1D).
11. Install the gypsum wallboard. The wallboard must also be pushed completely into the ½" dado on the back of the jamb to achieve a 20-minute rating. Installers should not screw the wallboard into the stud next to the frame.
12. After the gypsum wallboard is installed, the jamb should be fine tuned. Use clamps or a spreader board to adjust the jamb to width. After adjusting, properly screw the wallboard into the stud to hold the frame in place.
13. The door jamb is now ready for door installation. Refer to VT Industries *Useful Jobsite* brochure for door installation instructions. All hardware preps may be pre-machined. Pemko S88 20-minute smoke seal must be applied to the door frame and head, this

should be installed per Pemko's instructions. Door stops should be applied and nailed 4" from each end and every 12" on center using #6-d nails. Putty nail holes to improve visual appearance.

14. If this jamb is not manufactured with intumescent under the veneer around the door, surface applied HSS2000 must be installed around the door rabbet per Pemko's instructions.
15. Wood frame openings will meet 20-minute positive pressure fire rating requirements only if all of the above instructions are exactly followed.

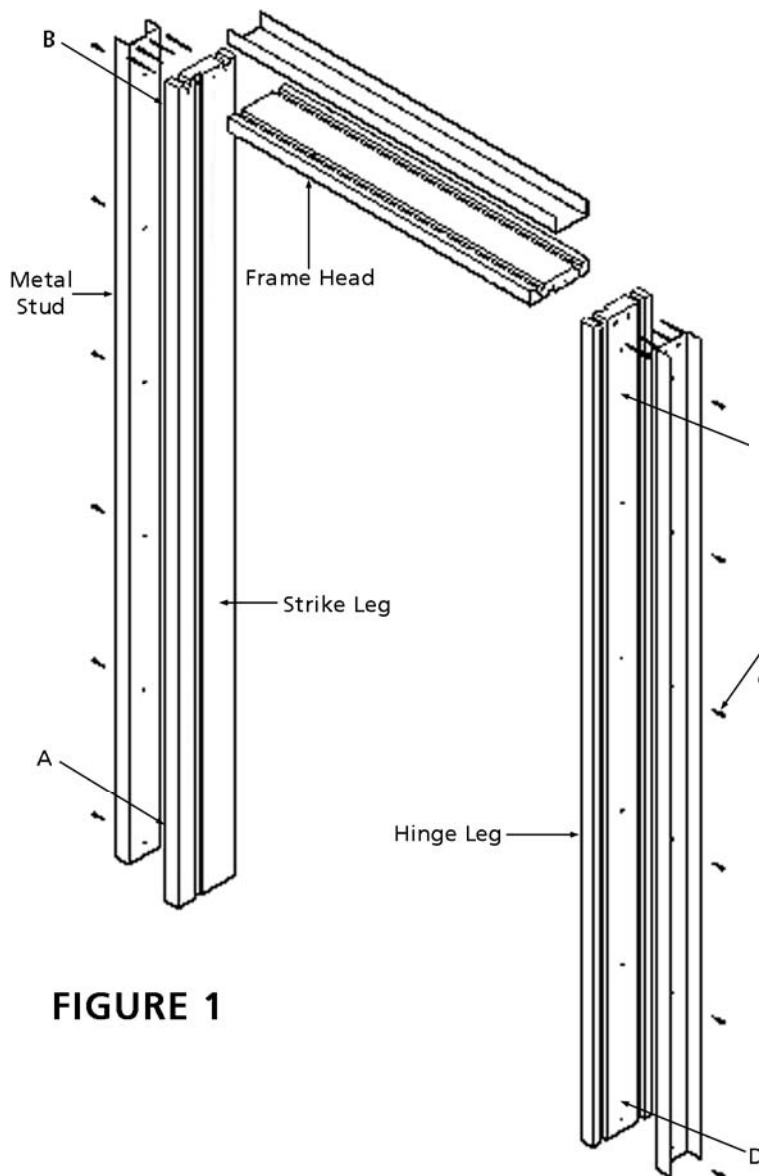


FIGURE 1

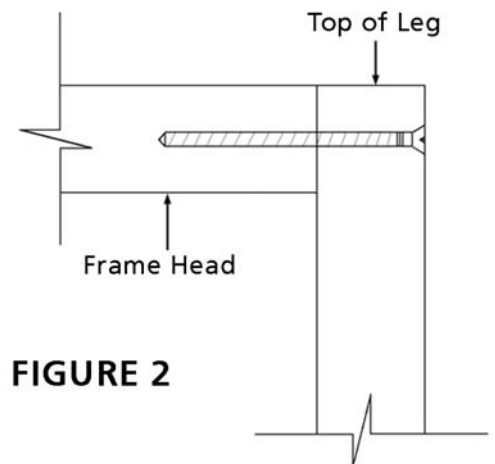


FIGURE 2

1 1/4" drywall screws 4" from each end, and every 16" on center