

VT ARCHITECTURAL JAMBS

VT PROVIDES WOOD DOOR JAMBS TO HELP YOU
CREATE PERFECTLY COORDINATED OPENINGS

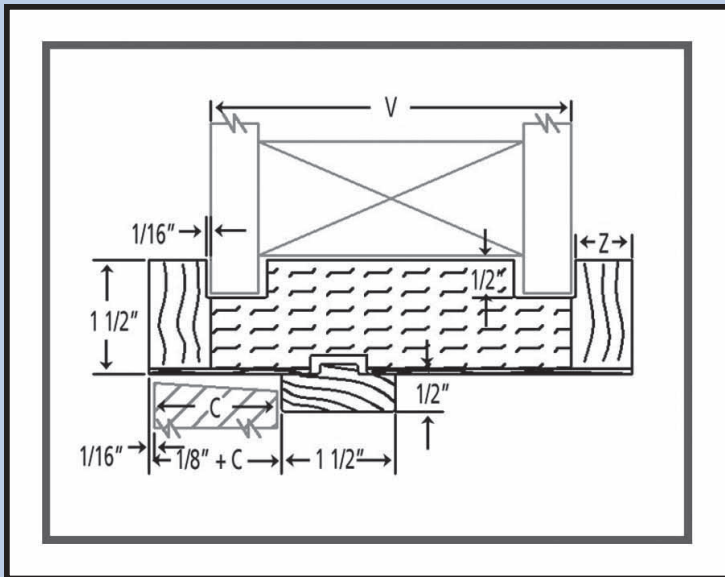
- Choose from a variety of wood veneers to match VT door faces.
- 20 minute fire-rating – maximum 4'-0" x 8'-0" opening size.
- Solid wood T stop.
- SCL provides dimensional stability.
- 10-foot maximum length for non rated-use.
- Jobsite assembly.
- LEED® credits available.
- No added urea-formaldehyde.
- Meet CARB Phase 1 regulations.
- Three standard VT profiles.
- Sidelite frames.
- Factory finished to match doors.
- Primed to paint.
- Factory machined hinges and strikes.
- Single and double rabbet profiles.
- Specie matched veneer and hardwood edges.
- Pre-drilled pilot holes.

Custom Wood Jambs Available – ASK US!

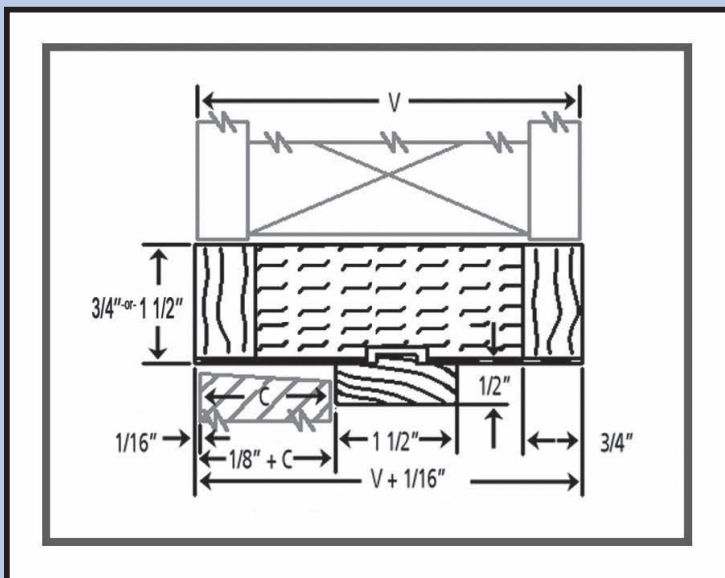
- 45-, 60-, and 90- minute jambs.
- Custom profiles manufactured to your project requirement.

Contact your Customer Service Representative for more details.

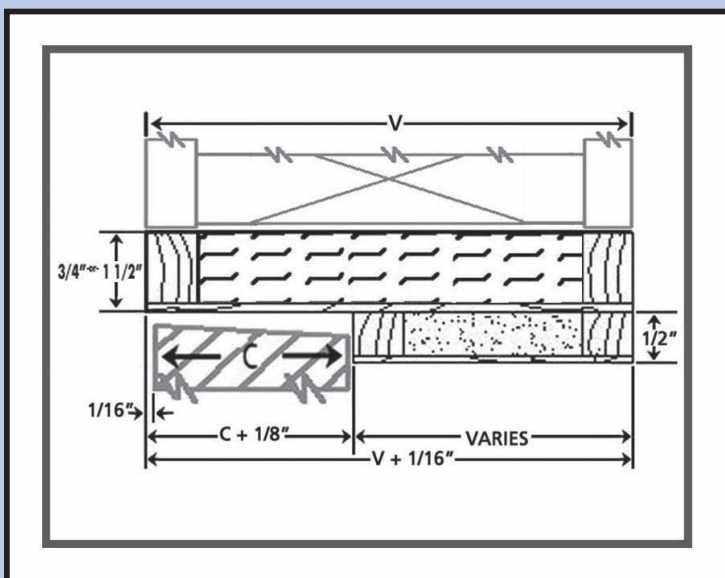
VT STANDARD PROFILES



- Double rabbet with T stop.
- Matching mullion profiles.
- Self cased.
- Minimum wall width: (V) 3-1/2"
- Maximum overall width: 9-3/4"
- Minimum return: (Z) 1/4"
- Maximum return: (Z) 3/4"
- 20-minute fire-rating available.



- Double rabbet with T stop.
- Matching mullion profiles.
- Casing by other.
- Minimum overall width: (V) 3-1/2"
- Maximum overall width: (V) 9-3/4"
- 20-minute fire-rating available.



- Single rabbet.
- Casing by other.
- Minimum wall width: (V) 3-1/2"
- Maximum overall width: (V) 9-3/4"
- 20-minute fire-rating available.

C represents the thickness of the door.